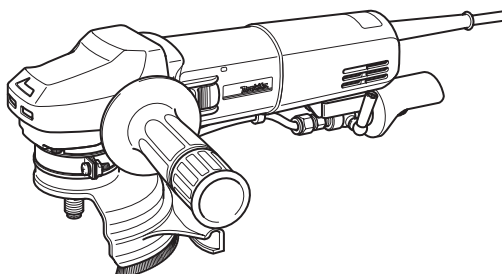


INSTRUCTION MANUAL
MANUEL D'INSTRUCTION
MANUAL DE INSTRUCCIONES



Stone Polisher Polisseuse Pierre Pulidora para Piedra

PW5001C



IMPORTANT: Read Before Using.

IMPORTANT : Lire avant usage.

IMPORTANTE: Lea antes de usar.

SPECIFICATIONS

| | |
|---|-----------------------|
| Model | PW5001C |
| Pad diameter | Max. 100 mm (Max. 4") |
| Rated speed (n) / No load speed (n ₀) | 4,400 /min |
| Overall length | 313 mm (12-3/8") |
| Net weight | 2.3 kg (5.0 lbs) |

- Due to our continuing program of research and development, the specifications herein are subject to change without notice.
- Specifications may differ from country to country.
- Weight according to EPTA-Procedure 01/2003

General Power Tool Safety Warnings

⚠ WARNING Read all safety warnings and all instructions. Failure to follow the warnings and instructions may result in electric shock, fire and/or serious injury.

Save all warnings and instructions for future reference.

The term "power tool" in the warnings refers to your mains-operated (corded) power tool or battery-operated (cordless) power tool.

Work area safety

1. **Keep work area clean and well lit.** Cluttered or dark areas invite accidents.
2. **Do not operate power tools in explosive atmospheres, such as in the presence of flammable liquids, gases or dust.** Power tools create sparks which may ignite the dust or fumes.
3. **Keep children and bystanders away while operating a power tool.** Distractions can cause you to lose control.

Electrical safety

4. **Power tool plugs must match the outlet. Never modify the plug in any way. Do not use any adapter plugs with earthed (grounded) power tools.** Unmodified plugs and matching outlets will reduce risk of electric shock.
5. **Avoid body contact with earthed or grounded surfaces such as pipes, radiators, ranges and refrigerators.** There is an increased risk of electric shock if your body is earthed or grounded.
6. **Do not expose power tools to rain or wet conditions.** Water entering a power tool will increase the risk of electric shock.
7. **Do not abuse the cord. Never use the cord for carrying, pulling or unplugging the power tool. Keep cord away from heat, oil, sharp edges or moving parts.** Damaged or entangled cords increase the risk of electric shock.
8. **When operating a power tool outdoors, use an extension cord suitable for outdoor use.** Use of a cord suitable for outdoor use reduces the risk of electric shock.
9. **If operating a power tool in a damp location is unavoidable, use a ground fault circuit interrupter (GFCI) protected supply.** Use of an GFCI reduces the risk of electric shock.

Personal safety

10. **Stay alert, watch what you are doing and use common sense when operating a power tool. Do not use a power tool while you are tired or under the influence of drugs, alcohol or medication.** A moment of inattention while operating power tools may result in serious personal injury.
11. **Use personal protective equipment. Always wear eye protection.** Protective equipment such as dust mask, non-skid safety shoes, hard hat, or hearing protection used for appropriate conditions will reduce personal injuries.
12. **Prevent unintentional starting. Ensure the switch is in the off-position before connecting to power source and/or battery pack, picking up or carrying the tool.** Carrying power tools with your finger on the switch or energising power tools that have the switch on invites accidents.
13. **Remove any adjusting key or wrench before turning the power tool on.** A wrench or a key left attached to a rotating part of the power tool may result in personal injury.
14. **Do not overreach. Keep proper footing and balance at all times.** This enables better control of the power tool in unexpected situations.
15. **Dress properly. Do not wear loose clothing or jewellery. Keep your hair, clothing, and gloves away from moving parts.** Loose clothes, jewellery or long hair can be caught in moving parts.
16. **If devices are provided for the connection of dust extraction and collection facilities, ensure these are connected and properly used.** Use of dust collection can reduce dust-related hazards.

Power tool use and care

17. **Do not force the power tool. Use the correct power tool for your application.** The correct power tool will do the job better and safer at the rate for which it was designed.
18. **Do not use the power tool if the switch does not turn it on and off.** Any power tool that cannot be controlled with the switch is dangerous and must be repaired.
19. **Disconnect the plug from the power source and/or the battery pack from the power tool before making any adjustments, changing accessories, or storing power tools.** Such preventive safety measures reduce the risk of starting the power tool accidentally.

20. **Store idle power tools out of the reach of children and do not allow persons unfamiliar with the power tool or these instructions to operate the power tool.** Power tools are dangerous in the hands of untrained users.
21. **Maintain power tools. Check for misalignment or binding of moving parts, breakage of parts and any other condition that may affect the power tool's operation. If damaged, have the power tool repaired before use.** Many accidents are caused by poorly maintained power tools.
22. **Keep cutting tools sharp and clean.** Properly maintained cutting tools with sharp cutting edges are less likely to bind and are easier to control.
23. **Use the power tool, accessories and tool bits etc. in accordance with these instructions, taking into account the working conditions and the work to be performed.** Use of the power tool for operations different from those intended could result in a hazardous situation.

Service

24. **Have your power tool serviced by a qualified repair person using only identical replacement parts.** This will ensure that the safety of the power tool is maintained.
25. **Follow instruction for lubricating and changing accessories.**
26. **Keep handles dry, clean and free from oil and grease.**

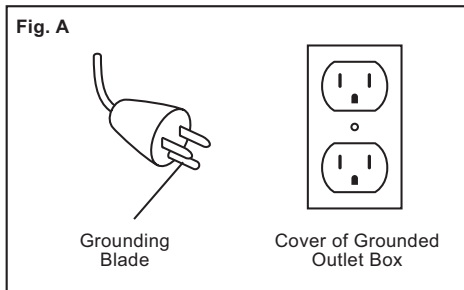
USE PROPER EXTENSION CORD. Use only three-wire extension cords that have three-prong grounding-type plugs and three-pole receptacles that accept the tool's plug. Make sure your extension cord is in good condition. Replace or repair damaged or worn cord immediately. When using an extension cord, be sure to use one heavy enough to carry the current your product will draw. An undersized cord will cause a drop in line voltage resulting in loss of power and overheating. Table 1 shows the correct size to use depending on cord length and nameplate ampere rating. If in doubt, use the next heavier gage. The smaller the gage number, the heavier the cord.

Table 1: Minimum gage for cord

| Ampere Rating | | Volts | Total length of cord in feet | | | |
|---------------|---------------|-------|------------------------------|--------|-----------------|---------|
| | | 120V | 25 ft. | 50 ft. | 100 ft. | 150 ft. |
| More Than | Not More Than | AWG | | | | |
| | | | | | | |
| 0 | 6 | | 18 | 16 | 16 | 14 |
| 6 | 10 | | 18 | 16 | 14 | 12 |
| 10 | 12 | | 16 | 16 | 14 | 12 |
| 12 | 16 | | 14 | 12 | Not Recommended | |

GROUNDING INSTRUCTIONS:

This tool should be grounded while in use to protect the operator from electric shock. The tool is equipped with a three-conductor cord and three-prong grounding type plug to fit the proper grounding type receptacle. The green (or green and yellow) conductor in the cord is the grounding wire. Never connect the green (or green and yellow) wire to a live terminal. Your unit is for use on 120 volts and has a plug that looks like Fig. "A".



STONE POLISHER SAFETY WARNINGS

Safety Warnings Common for Polishing Operation:

1. **This power tool is intended to function as a polisher.** Read all safety warnings, instructions, illustrations and specifications provided with this power tool. Failure to follow all instructions listed below may result in electric shock, fire and/or serious injury.
2. **Operations such as grinding, sanding, wire brushing or cutting-off are not recommended to be performed with this power tool.** Operations for which the power tool was not designed may create a hazard and cause personal injury.
3. **Do not use accessories which are not specifically designed and recommended by the tool manufacturer.** Just because the accessory can be attached to your power tool, it does not assure safe operation.
4. **The rated speed of the accessory must be at least equal to the maximum speed marked on the power tool.** Accessories running faster than their rated speed can break and fly apart.
5. **The outside diameter and the thickness of your accessory must be within the capacity rating of your power tool.** Incorrectly sized accessories cannot be adequately guarded or controlled.
6. **Threaded mounting of accessories must match the tool spindle thread.** For accessories mounted by flanges, the arbour hole of the accessory must fit

the locating diameter of the flange. Accessories that do not match the mounting hardware of the power tool will run out of balance, vibrate excessively and may cause loss of control.

7. **Do not use a damaged accessory. Before each use inspect the accessory such as backing pad for cracks, tear or excess wear. If power tool or accessory is dropped, inspect for damage or install an undamaged accessory. After inspecting and installing an accessory, position yourself and bystanders away from the plane of the rotating accessory and run the power tool at maximum no-load speed for one minute. Damaged accessories will normally break apart during this test time.**
8. **Wear personal protective equipment. Depending on application, use face shield, safety goggles or safety glasses. As appropriate, wear dust mask, hearing protectors, gloves and workshop apron capable of stopping small abrasive or workpiece fragments.** The eye protection must be capable of stopping flying debris generated by various operations. The dust mask or respirator must be capable of filtering particles generated by your operation. Prolonged exposure to high intensity noise may cause hearing loss.
9. **Keep bystanders a safe distance away from work area. Anyone entering the work area must wear personal protective equipment.** Fragments of workpiece or of a broken accessory may fly away and cause injury beyond immediate area of operation.
10. **Position the cord clear of the spinning accessory.** If you lose control, the cord may be cut or snagged and your hand or arm may be pulled into the spinning accessory.
11. **Never lay the power tool down until the accessory has come to a complete stop.** The spinning accessory may grab the surface and pull the power tool out of your control.
12. **Do not run the power tool while carrying it at your side.** Accidental contact with the spinning accessory could snag your clothing, pulling the accessory into your body.
13. **Regularly clean the power tool's air vents.** The motor's fan will draw the dust inside the housing and excessive accumulation of powdered metal may cause electrical hazards.
14. **Do not operate the power tool near flammable materials.** Sparks could ignite these materials.

Kickback and Related Warnings

Kickback is a sudden reaction to a pinched or snagged rotating wheel, backing pad, brush or any other accessory. Pinching or snagging causes rapid stalling of the rotating accessory which in turn causes the uncontrolled power tool to be forced in the direction opposite of the accessory's rotation at the point of the binding.

For example, if an abrasive wheel is snagged or pinched by the workpiece, the edge of the wheel that is entering into the pinch point can dig into the surface of the material causing the wheel to climb out or kick out. The wheel may either jump toward or away from the operator, depending on direction of the wheel's movement at the point of pinching. Abrasive wheels may also break under these conditions.

Kickback is the result of power tool misuse and/or incorrect operating procedures or conditions and can be avoided by taking proper precautions as given below.

- a) **Maintain a firm grip on the power tool and position your body and arm to allow you to resist kickback forces. Always use auxiliary**

handle, if provided, for maximum control over kickback or torque reaction during start-up.

The operator can control torque reactions or kickback forces, if proper precautions are taken.

- b) **Never place your hand near the rotating accessory.** Accessory may kickback over your hand.
- c) **Do not position your body in the area where power tool will move if kickback occurs.** Kickback will propel the tool in direction opposite to the wheel's movement at the point of snagging.
- d) **Use special care when working corners, sharp edges etc. Avoid bouncing and snagging the accessory.** Corners, sharp edges or bouncing have a tendency to snag the rotating accessory and cause loss of control or kickback.
- e) **Do not attach a saw chain woodcarving blade or toothed saw blade.** Such blades create frequent kickback and loss of control.

Safety Warnings Specific for Stone Polishing Operations:

- a) **Do not use excessively oversized abrasive disc. Follow manufacturers recommendations, when selecting abrasive disc.** Larger abrasive disc extending beyond the pad presents a laceration hazard and may cause snagging, tearing of the disc or kickback.

Additional safety warnings:


15. **Ground Fault Circuit Interrupter (GFCI) protection should be provided on the circuit(s) or outlet(s) to be used for the tool. Receptacles are available having built-in GFCI protection and may be used for this measure of safety.**
16. **For additional protection against electric shock, be sure to WEAR RUBBER GLOVES AND RUBBER BOOTS during operation.**
17. **When using the water feed, be careful not to let water get into the motor. If water runs into the motor, an electric shock hazard may result.**
18. **PROPER GROUNDING. This tool should be grounding while in use to protect the operator from electric shock.**
19. **EXTENSION CORDS. Use only three-wire extension cords which have three-prong grounding-type plugs and three-pole receptacles which accept the tool's plug. Replace or repair damaged or worn cord immediately.**
20. **Make sure the abrasive disc is not contacting the workpiece before the switch is turned on.**
21. **Do not leave the tool running. Operate the tool only when hand-held.**
22. **Check that the workpiece is properly supported.**
23. **Pay attention that the wheel continues to rotate after the tool is switched off.**
24. **Do not use the tool on any materials containing asbestos.**

SAVE THESE INSTRUCTIONS.

⚠WARNING: DO NOT let comfort or familiarity with product (gained from repeated use) replace strict adherence to safety rules for the subject product. MISUSE or failure to follow the safety rules stated in this instruction manual may cause serious personal injury.

Symbols

The followings show the symbols used for tool.

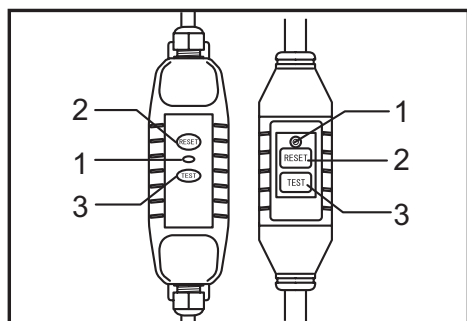
| | |
|--|---|
| V | volts |
| A | amperes |
| Hz | hertz |
|  | alternating current |
| n | rated speed |
| n_0 | no load speed |
| ... /min | revolutions or reciprocation per minute |
| r/min | |

FUNCTIONAL DESCRIPTION

CAUTION:

- Always be sure that the tool is switched off and unplugged before adjusting or checking function on the tool.

Ground Fault Circuit Interrupter



- 1. Pilot lamp 2. RESET (R) button 3. TEST (T) button

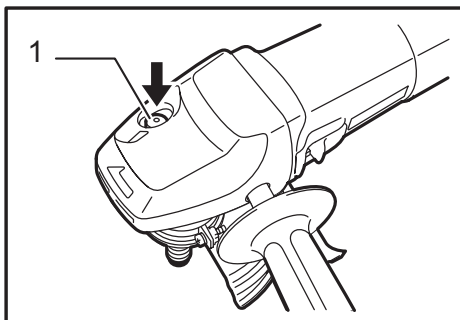
The tool is equipped with either of Ground Fault Circuit Interrupter (GFCI) illustrated.

Connect the tool to a power supply and test the Ground Fault Circuit Interrupter (GFCI) before using the tool. Push the RESET (R) button and confirm that the pilot lamp lights. Push the TEST (T) button and confirm that the pilot lamp goes out. Push the RESET (R) button again to use the tool.

WARNING:

- Do not use the tool if the pilot lamp does not go out when the TEST (T) button is pushed.

Shaft lock



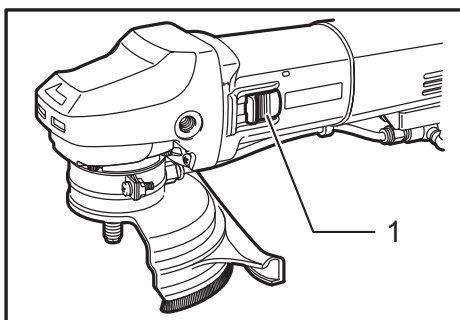
- 1. Shaft lock

CAUTION:

- Never actuate the shaft lock when the spindle is moving. The tool may be damaged.

Press the shaft lock to prevent spindle rotation when installing or removing accessories.

Switch action



- 1. Slide switch

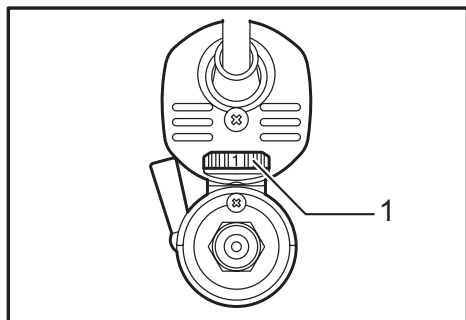
CAUTION:

- Before plugging in the tool, always check to see that the slide switch actuates properly and returns to the "OFF" position when the rear of the slide switch is depressed.
- Switch can be locked in "ON" position for ease of operator comfort during extended use. Apply caution when locking tool in "ON" position and maintain firm grasp on tool.

To start the tool, slide the slide switch toward the "I (ON)" position by pushing the rear of the slide switch. For continuous operation, press the front of the slide switch to lock it.

To stop the tool, press the rear of the slide switch, then slide it toward the "O (OFF)" position.

Speed adjusting dial



► 1. Speed adjusting dial

The rotating speed can be changed by turning the speed adjusting dial to a given number setting from 1 to 5.

Higher speed is obtained when the dial is turned in the direction of number 5. And lower speed is obtained when it is turned in the direction of number 1.

Refer to the table for the relationship between the number settings on the dial and the approximate rotating speed.

| Number | RPM(/min) |
|--------|-----------|
| 1 | 2,000 |
| 2 | 2,500 |
| 3 | 3,000 |
| 4 | 3,500 |
| 5 | 4,400 |

⚠CAUTION:

- If the tool is operated continuously at low speeds, the motor will get overloaded and heated up.
- The speed adjusting dial can be turned only as far as 5 and back to 1. Do not force it past 5 or 1, or the speed adjusting function may no longer work.

Electronic function

Constant speed control

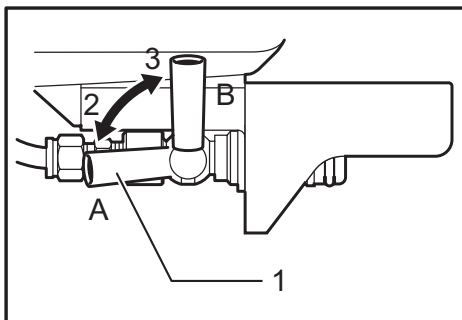
Possible to get fine finish, because the rotating speed is kept constant even under the loaded condition.

Additionally, when the load on the tool exceeds admissible levels, power to the motor is reduced to protect the motor from overheating. When the load returns to admissible levels, the tool will operate as normal.

Soft start feature

Soft start because of suppressed starting shock.

Opening or closing of water lever



► 1. Lever 2. Open 3. Close

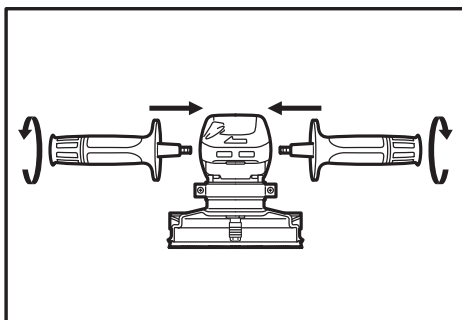
To keep the lever on the tool for water flow open, turn it to the position A where the water passage will be ready. Return it to the position B to close.

ASSEMBLY

⚠CAUTION:

- Always be sure that the tool is switched off and unplugged before carrying out any work on the tool.

Installing side grip (handle)

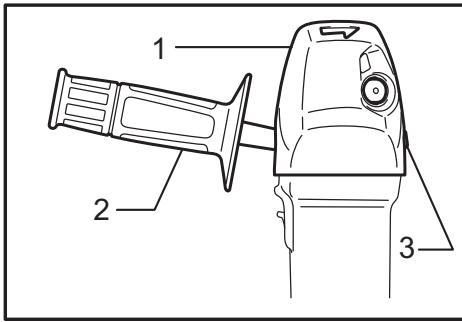


⚠CAUTION:

- Always be sure that the side grip is installed securely before operation.

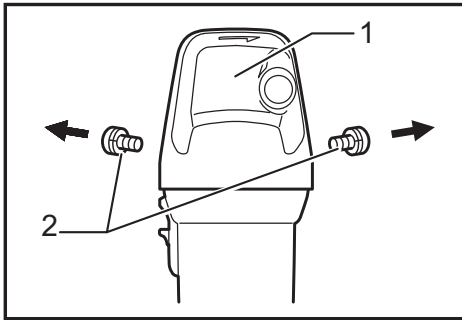
Screw the side grip securely on the position of the tool as shown in the figure.

Remove one of the screws which secure gear housing and head cover, then screw the side grip on the tool.



► 1. Head cover 2. Side grip 3. Screw

Installing or removing the front grip

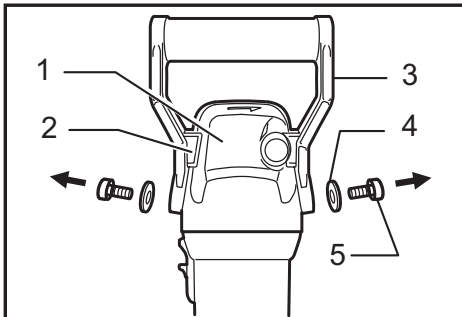


► 1. Head cover 2. Screw

CAUTION:

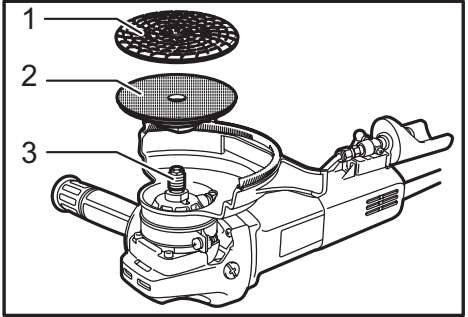
- Make sure that the front grip is installed securely before operation.
- The front grip and the side grip cannot be installed at the same time.

Remove two screws and then the head cover. (The front grip cannot be installed during the installation of head cover on the tool.)
Install the front grip on the tool so that its stopper fits to the gear housing and tighten the two screws as shown in the figure. (The front grip and the side grip cannot be installed at the same time.)



► 1. Gear housing 2. Stopper 3. Front grip 4. Flat washer 5. Hex socket head bolt

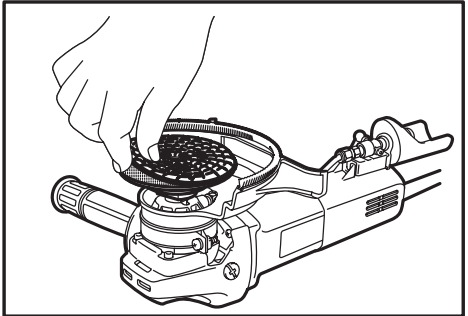
Installing or removing abrasive disc (optional accessory)



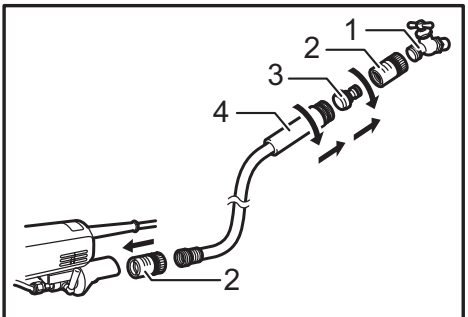
► 1. Abrasive disc 2. Pad 3. Spindle

Remove all dirt or foreign matter from the pad. Screw the pad onto the spindle with pressing the shaft lock. Attach the disc to the pad so carefully that the edges of disc and pad overlap each other without protruding.

To remove the abrasive disc, pull off its edge from the pad.



Hose connector assembly



► 1. Water cock 2. Hose connector 3. Connector 4. Hose

Use the hose connector assembly to connect to water source. It consists of the following parts.

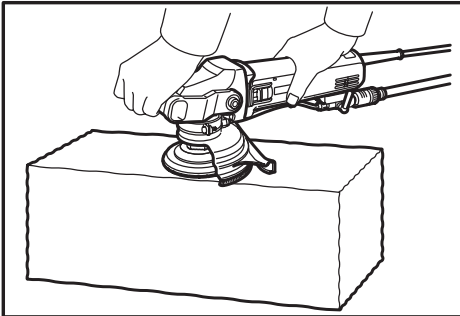
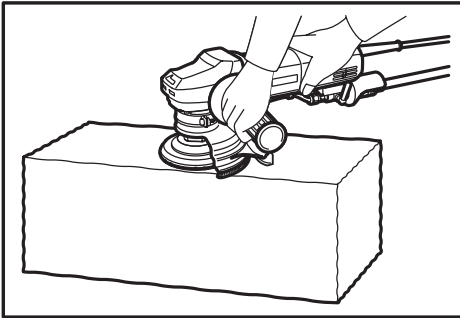
| Part name | Description |
|----------------|--|
| Hose Connector | 1/2" pipe thread |
| Connector | 1/2" mail pipe thread |
| Hose | 5/8" in inner diameter x 25" in length |

Assemble the above parts hand tight as follows.

1. Attach the hose connector to the outlet of water cock.
2. Tighten the connector firmly to the hose. Insert the connector to the hose connector as far as it will go.
3. Tighten the hose connector to the end of the hose.
4. Fit the hose connector to the port on the tool.

OPERATION

Polishing operation



WARNING:

- To reduce the risk of electric shock, check the tool's water supply system to ensure there is no damage to the seals ("O" rings) or hoses. A damaged water supply system may result in abnormal water flow to the tool which could be dangerous.

CAUTION:

- Always wear safety goggles or a face shield during operation.
- Never switch on the tool when it is in contact with the workpiece, it may cause an injury to operator.
- Never run the tool without the abrasive disc. You may seriously damage the pad.
- Be sure to feed water to the abrasive disc during operation. Failure to do so may cause breakage to the tool.
- The maximum permitted pressure of water supply is 7 bar.

Make sure that the cock is closed. Connect the hose to the tool. Make sure that water comes out when the water lever is opened.

Hold the tool firmly. Turn the tool on and then apply the abrasive disc to the workpiece.

Apply slight pressure only. Excessive pressure will result in poor performance and premature wear to abrasive disc.

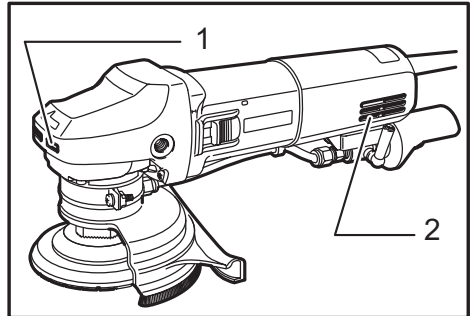
MAINTENANCE

CAUTION:

- Always be sure that the tool is switched off and unplugged before attempting to perform inspection or maintenance.

NOTICE:

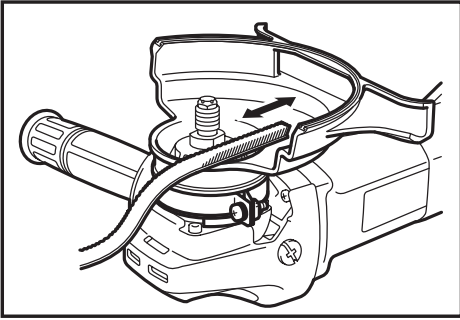
- Never use gasoline, benzene, thinner, alcohol or the like. Discoloration, deformation or cracks may result.



► 1. Exhaust vent 2. Inhalation vent

The tool and its air vents have to be kept clean. Regularly clean the tool's air vents or whenever the vents start to become obstructed.

Replacing dust cover brush



Replace the brush on the dust cover shortly after its tip is damaged. To replace the brush, slide it in the direction of arrow as shown in the figure.

The dust cover is used to reduce the risk of dust intrusion into tool body. Be sure to use the tool with the dust cover in place when operating. Should it be damaged, replace it with new one without fail.

Long use and operation of the tool using much water causes buildup of dust inside the tool. To maintain the product safety and operate the tool with high efficiency, always check the exhaust vent at the back of tool.

When you find buildup of dust in that area, ask Makita service center for cleaning inside of the tool. Never disassemble or clean the inside of the tool by yourself. Early request for cleaning is recommended at all times. To maintain product SAFETY and RELIABILITY, repairs, carbon brush inspection and replacement, any other maintenance or adjustment should be performed by Makita Authorized or Factory Service Centers, always using Makita replacement parts.

MAKITA LIMITED WARRANTY

Please refer to the annexed warranty sheet for the most current warranty terms applicable to this product. If annexed warranty sheet is not available, refer to the warranty details set forth at below website for your respective country.

United States of America: www.makitatools.com

Canada: www.makita.ca

Other countries: www.makita.com

OPTIONAL ACCESSORIES

⚠ CAUTION:

- These accessories or attachments are recommended for use with your Makita tool specified in this manual. The use of any other accessories or attachments might present a risk of injury to persons. Only use accessory or attachment for its stated purpose.

If you need any assistance for more details regarding these accessories, ask your local Makita Service Center.

- Abrasive discs
- Side grip
- Front grip
- Rubber pad

NOTE:

- Some items in the list may be included in the tool package as standard accessories. They may differ from country to country.

SPÉCIFICATIONS

| | |
|---|-----------------------|
| Modèle | PW5001C |
| Diamètre du plateau | Max. 100 mm (Max. 4") |
| Vitesse nominale (n) / Vitesse à vide (n ₀) | 4 400 /min |
| Longueur totale | 313 mm (12-3/8") |
| Poids net | 2,3 kg (5,0 lbs) |

- Étant donné l'évolution constante de notre programme de recherche et de développement, les spécifications contenues dans ce manuel sont sujettes à modification sans préavis.
- Les spécifications peuvent varier suivant les pays.
- Poids conforme à la procédure EPTA du 01/2003

Consignes de sécurité générales pour outils électriques

⚠ MISE EN GARDE Veuillez lire toutes les mises en garde de sécurité et toutes les instructions.

L'ignorance des mises en garde et des instructions comporte un risque de choc électrique, d'incendie et/ou de blessure grave.

Conservez toutes les mises en garde et instructions pour référence future.

Le terme « outil électrique » qui figure dans les avertissements fait référence à un outil électrique branché sur une prise de courant (par un cordon d'alimentation) ou alimenté par batterie (sans fil).

Sécurité de la zone de travail

1. **Maintenez la zone de travail propre et bien éclairée.** Les zones de travail encombrées ou sombres ouvrent grande la porte aux accidents.
2. **N'utilisez pas les outils électriques dans les atmosphères explosives, par exemple en présence de liquides, gaz ou poussières inflammables.** Les outils électriques produisent des étincelles au contact desquelles la poussière ou les vapeurs peuvent s'enflammer.
3. **Assurez-vous qu'aucun enfant ou curieux ne s'approche pendant que vous utilisez un outil électrique.** Vous risquez de perdre la maîtrise de l'outil si votre attention est détournée.

Sécurité en matière d'électricité

4. **Les fiches d'outil électrique sont conçues pour s'adapter parfaitement aux prises de courant. Ne modifiez jamais la fiche de quelque façon que ce soit. N'utilisez aucun adaptateur de fiche sur les outils électriques avec mise à la terre.** En ne modifiant pas les fiches et en les insérant dans des prises de courant pour lesquelles elles ont été conçues vous réduirez les risques de choc électrique.
5. **Évitez tout contact corporel avec les surfaces mises à la terre, telles que les tuyaux, radiateurs, cuisinières et réfrigérateurs.** Le risque de choc électrique est plus élevé si votre corps se trouve mis à la terre.
6. **N'exposez pas les outils électriques à la pluie ou à l'eau.** La présence d'eau dans un outil électrique augmente le risque de choc électrique.

7. **Ne maltraitez pas le cordon. N'utilisez jamais le cordon pour transporter, tirer ou débrancher l'outil électrique. Maintenez le cordon à l'écart des sources de chaleur, de l'huile, des objets à bords tranchants et des pièces en mouvement.** Le risque de choc électrique est plus élevé lorsque les cordons sont endommagés ou enchevêtrés.
8. **Lorsque vous utilisez un outil électrique à l'extérieur, utilisez un cordon prolongateur prévu à cette fin.** Les risques de choc électrique sont moindres lorsqu'un cordon conçu pour l'extérieur est utilisé.
9. **Si vous devez utiliser un outil électrique dans un endroit humide, utilisez une source d'alimentation protégée par un disjoncteur de fuite à la terre.** L'utilisation d'un disjoncteur de fuite à la terre réduit le risque de choc électrique.

Sécurité personnelle

10. **Restez alerte, attentif à vos mouvements et faites preuve de bon sens lorsque vous utilisez un outil électrique. Évitez d'utiliser un outil électrique si vous êtes fatigué ou si vous avez pris une drogue, de l'alcool ou un médicament.** Un moment d'inattention pendant l'utilisation d'un outil électrique peut entraîner une grave blessure.
11. **Portez des dispositifs de protection personnelle. Portez toujours un protecteur pour la vue.** Les risques de blessure seront moins élevés si vous utilisez des dispositifs de protection tels qu'un masque anti-poussières, des chaussures à semelle antidérapante, une coiffure résistante ou une protection d'oreilles.
12. **Évitez les démarrages accidentels. Assurez-vous que l'interrupteur est en position d'arrêt avant de brancher l'outil et/ou d'insérer la batterie, ainsi qu'avant de saisir ou de transporter l'outil.** Vous ouvrez la porte aux accidents si vous transportez les outils électriques avec le doigt sur l'interrupteur ou laissez l'interrupteur en position de marche avant de mettre l'outil sous tension.
13. **Retirez toute clé de réglage ou de serrage avant de mettre l'outil sous tension.** Toute clé laissée en place sur une pièce rotative de l'outil électrique peut entraîner une blessure.
14. **Maintenez une bonne position. Assurez-vous d'une bonne prise au sol et d'une bonne position d'équilibre en tout temps.** Cela vous permettra d'avoir une meilleure maîtrise de l'outil dans les situations imprévues.
15. **Portez des vêtements adéquats. Ne portez ni vêtements amples ni bijoux. Vous devez maintenir cheveux, vêtements et gants à l'écart des**

pièces en mouvement. Les pièces en mouvement peuvent happer les vêtements amples, les bijoux et les cheveux longs.

16. **Si des accessoires sont fournis pour raccorder un appareil d'aspiration et de collecte de la poussière, assurez-vous qu'ils sont correctement raccordés et qu'ils sont utilisés de manière adéquate.** L'utilisation d'un appareil d'aspiration permet de réduire les risques liés à la présence de poussière dans l'air.

Utilisation et entretien des outils électriques

17. **Ne forcez pas l'outil électrique. Utilisez l'outil électrique adéquat suivant le type de travail à effectuer.** Si vous utilisez l'outil électrique adéquat et respectez le régime pour lequel il a été conçu, il effectuera un travail de meilleure qualité et de façon plus sécuritaire.
18. **N'utilisez pas l'outil électrique s'il n'est pas possible de retirer sa gâchette en position de marche et d'arrêt.** Un outil électrique dont l'interrupteur est défectueux représente un danger et doit être réparé.
19. **Débranchez la fiche de la source d'alimentation et/ou retirez le bloc-piles de l'outil électrique avant d'effectuer tout réglage, de changer un accessoire ou de ranger l'outil électrique.** De telles mesures préventives réduisent les risques de démarrage accidentel de l'outil électrique.
20. **Après l'utilisation d'un outil électrique, rangez-le hors de portée des enfants et ne laissez aucune personne l'utiliser si elle n'est pas familiarisée avec l'outil électrique ou les présentes instructions d'utilisation.** Les outils électriques représentent un danger entre les mains de personnes qui n'en connaissent pas le mode d'utilisation.
21. **Veillez à l'entretien des outils électriques.** Assurez-vous que les pièces mobiles ne sont pas désalignées ou coincées, qu'aucune pièce n'est cassée et que l'outil électrique n'a subi aucun dommage affectant son bon fonctionnement. Le cas échéant, faites réparer l'outil électrique avant de l'utiliser. De nombreux

accidents sont causés par des outils électriques mal entretenus.

22. **Maintenez les outils tranchants bien aiguisés et propres.** Un outil tranchant dont l'entretien est effectué correctement et dont les bords sont bien aiguisés risquera moins de se coincer et sera plus facile à maîtriser.
23. **Utilisez l'outil électrique, ses accessoires, ses embouts, etc., en respectant les présentes instructions, en tenant compte des conditions de travail et du type de travail à effectuer.** L'utilisation d'un outil électrique à des fins autres que celles prévues peut entraîner une situation dangereuse.

Réparation

24. **Faites réparer votre outil électrique par un réparateur qualifié qui utilise des pièces de rechange identiques aux pièces d'origine.** Le maintien de la sûreté de l'outil électrique sera ainsi assuré.
25. **Suivez les instructions de lubrification et de changement des accessoires.**
26. **Maintenez les poignées de l'outil sèches, propres et exempts d'huile ou de graisse.**

UTILISEZ UN CORDON PROLONGATEUR ADÉQUAT.

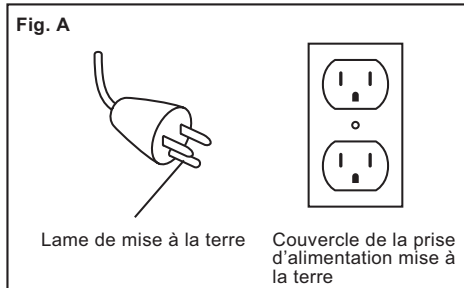
N'utilisez que les cordons prolongateurs à trois fils et munis d'une fiche tripolaire, ainsi que des prises tripolaires adaptées à la fiche de l'outil. Assurez-vous que le cordon prolongateur est en bon état. Remplacez ou réparez sans tarder tout cordon endommagé ou usé. Lors de l'utilisation d'un cordon prolongateur, utilisez sans faute un cordon assez gros pour conduire le courant dont l'outil a besoin. Un cordon trop petit provoquera une baisse de tension de secteur, résultant en une perte de puissance et une surchauffe. Le Tableau 1 indique la dimension appropriée de cordon selon sa longueur et selon l'intensité nominale indiquée sur la plaque signalétique. En cas de doute sur un cordon donné, utilisez le cordon suivant (plus gros). Plus le numéro de gabarit indiqué est petit, plus le cordon est gros.

Tableau 1. Gabarit minimum du cordon

| Intensité nominale | | Volts | Longueur totale du cordon en pieds | | | |
|--------------------|-------------|----------------------------|------------------------------------|----------------|--------|--------|
| | | 120 V | 25 pi | 50 pi | 100 pi | 150 pi |
| Plus de | Pas plus de | Calibre américain des fils | | | | |
| 0 | 6 | 18 | 16 | 16 | 14 | |
| 6 | 10 | 18 | 16 | 14 | 12 | |
| 10 | 12 | 16 | 16 | 14 | 12 | |
| 12 | 16 | 14 | 12 | Non recommandé | | |

INSTRUCTIONS DE MISE À LA TERRE :

Cet outil doit être mis à la terre pendant l'utilisation pour protéger l'utilisateur contre l'électrocution. L'outil est doté d'un cordon à trois fils conducteurs et d'une fiche tripolaire à brancher sur une prise tripolaire adéquate. Le fil conducteur vert (ou vert et jaune) du cordon est le fil de terre. Ne connectez jamais le fil vert (ou vert et jaune) à une borne sous tension. L'appareil est conçu pour être alimenté par un courant de 120 volts et est doté d'une fiche comme celle de l'illustration « A ».



CONSIGNES DE SÉCURITÉ POUR LA POLISSEUSE PIERRE

Consignes de sécurité générales pour le polissage :

1. **Cet outil électrique est conçu pour être utilisé comme polisseuse. Veuillez lire l'ensemble des mises en garde de sécurité, instructions, illustrations et spécifications fournies pour cet outil électrique.** Il existe un risque de décharge électrique, d'incendie et/ou de blessure grave si toutes les instructions énumérées ci-dessous ne sont pas respectées.
2. **Il n'est pas recommandé d'utiliser cet outil électrique pour des opérations comme le meulage, le ponçage, le brossage métallique ou le découpage.** Les opérations pour lesquelles l'outil électrique n'a pas été conçu peuvent générer une situation dangereuse et provoquer des blessures.
3. **N'utilisez pas d'accessoire n'étant pas conçu et recommandé spécifiquement par le fabricant de l'outil.** Même si vous pouvez fixer l'accessoire à l'outil, cela ne garantit pas pour autant un fonctionnement sécuritaire.
4. **La vitesse nominale de l'accessoire doit être au moins égale à la vitesse maximale marquée sur l'outil.** Les accessoires fonctionnant à une vitesse supérieure à leur vitesse nominale peuvent se briser et voler en morceau.
5. **Le diamètre extérieur et l'épaisseur de votre accessoire doivent respecter la capacité nominale de votre outil.** Il est impossible de protéger ou de contrôler adéquatement les accessoires d'une dimension inappropriée.
6. **Le montage fileté d'accessoires doit être adapté au filet de l'arbre de l'outil.** Pour les accessoires montés avec des flasques, l'alésage central de l'accessoire doit s'adapter correctement au diamètre de l'orifice de positionnement du flasque. Les accessoires qui ne correspondent pas aux éléments de montage de l'outil électrique seront en déséquilibre, vibreront de manière excessive et risqueront de provoquer une perte de contrôle.
7. **N'utilisez pas un accessoire s'il est endommagé. Avant chaque utilisation, inspectez les accessoires, comme les plaques de presse, à la recherche de fissures, de déchirures ou d'une usure excessive. Si un outil électrique ou un accessoire subit une chute, vérifiez s'il n'a pas été endommagé ou installez un nouvel accessoire. Après avoir inspecté et installé un accessoire, faites en sorte que tout le monde (vous-même, les curieux) se trouve hors de portée de l'accessoire rotatif. Ensuite, faites fonctionner l'outil à sa vitesse à vide maximale durant une minute.** Généralement, si un accessoire est endommagé il se brisera durant ce test.
8. **Portez un équipement de protection individuel. Selon l'application, utilisez un écran facial, un masque ou des lunettes de sécurité. Lorsque la situation le nécessite, portez un masque anti-poussière, un appareil antibruit, des gants et un tablier capable d'arrêter les petits fragments abrasifs ou ceux de l'ouvrage.** L'appareil de protection des yeux doit être en mesure d'arrêter les débris projetés par toutes les opérations. Le masque anti-poussière ou le respirateur doit

être capable de filtrer les particules générées par l'opération que vous effectuez. Une exposition prolongée à un bruit de forte intensité peut provoquer une perte d'audition.

9. **Maintenez les curieux à une distance sécuritaire de la zone de travail. Toute personne entrant dans la zone de travail doit porter un équipement de protection individuelle.** Il est possible que des fragments de l'ouvrage ou d'un accessoire brisé soient propulsés et provoquent des blessures hors de la zone immédiate de fonctionnement.
10. **Positionnez le cordon loin de l'accessoire rotatif.** Si vous perdez le contrôle, le cordon pourrait être sectionné ou accroché et il est possible que votre main ou votre bras soit tiré dans l'accessoire rotatif.
11. **Ne reposez jamais l'outil tant que l'accessoire n'est pas complètement arrêté.** L'accessoire rotatif pourrait s'agripper à la surface et rendre l'outil incontrôlable.
12. **Ne faites pas fonctionner l'outil lorsque vous le transportez.** Un contact accidentel avec l'accessoire rotatif pourrait accrocher vos vêtements et entraîner l'accessoire vers votre corps.
13. **Nettoyez régulièrement les fentes d'aération.** Le ventilateur du moteur attirera la poussière à l'intérieur du boîtier et une accumulation excessive de métal fritté pourrait provoquer des dangers électriques.
14. **N'utilisez pas l'outil électrique près de matériaux inflammables.** Les étincelles qui jaillissent de l'outil risqueraient de faire prendre en feu ces matériaux.

Recul et avertissements liés

Le recul est une réaction soudaine d'une meule, d'une plaque de presse, d'une brosse ou de tout autre accessoire en rotation accroché ou pincé. Le pincement ou l'accrochage provoque un décrochage rapide de l'accessoire en rotation qui force l'outil électrique dans la direction opposée de rotation de l'accessoire au point de coincement.

Par exemple, si une meule abrasive est accrochée ou pincée par l'ouvrage, le bord de la meule qui entre dans le point de pincement peut entrer dans la surface du matériau et faire détacher la meule. La meule peut s'éjecter en direction de l'opérateur ou au loin, selon la direction du mouvement de la meule au point de pincement. Les meules abrasives peuvent aussi se casser dans de telles conditions.

Le recul est le résultat d'une utilisation inadéquate de l'outil électrique et/ou de procédures ou conditions d'utilisation incorrectes ; on peut l'éviter en prenant des précautions adéquates, indiquées ci-dessous.

- a) **Maintenez une bonne prise sur l'outil et positionnez votre corps afin de vous permettre de résister aux forces de recul. Utilisez toujours la poignée latérale, le cas échéant, pour contrôler au maximum le recul ou la réaction de couple durant le démarrage.** Si les précautions adéquates ont été prises, l'opérateur peut contrôler les réactions de couple ou les forces de recul.
- b) **Ne placez jamais votre main près de l'accessoire en rotation.** L'accessoire pourrait reculer sur votre main.

c) **Ne positionnez pas votre corps dans la zone où l'outil se déplacera si un recul se produit.**

Un recul propulsera l'outil dans la direction opposée au mouvement de la roue, à l'endroit où s'est produit l'accrochage.

d) **Soyez particulièrement prudent lorsque vous travaillez sur des coins, des bords pointus, etc. Évitez que l'accessoire ne rebondisse et ne s'accroche.** Les coins, les bords pointus ou les rebondissements, ont tendance à générer un accrochage de l'accessoire rotatif et à provoquer une perte de contrôle ou un recul.

e) **N'installez pas de chaîne coupante, de lame à ciseler ou de lame de scie à denture.** De telles lames provoquent fréquemment des reculs et des pertes de contrôle.

Mises en garde de sécurité particulières pour le polissage de pierre :

a) **N'utilisez pas de disque abrasif de taille excessive. Suivez les recommandations du fabricant lors de la sélection du disque abrasif.** Les disques abrasifs de grande taille, dépassant le tampon, risquent de se lacérer et pourraient entraîner le pincement ou le déchirement du disque, ou encore un recul.


Consignes de sécurité supplémentaire :

15. **Une protection de type disjoncteur de fuite à la terre doit être installée sur le(s) circuit(s) ou la (les) prise(s) à utiliser avec l'outil. Pour cette mesure de protection, des prises de courant avec disjoncteur de fuite à la terre intégré sont disponibles.**
16. **Pour vous assurer d'une protection supplémentaire contre les chocs électriques, vous devez PORTER DES GANTS ET BOTTES DE CAOUTCHOUC lorsque vous utilisez l'outil.**
17. **Prenez soin d'éviter que l'eau ne pénètre dans le moteur lorsque vous utilisez l'alimentation en eau. Il y a risque de choc électrique si de l'eau pénètre dans le moteur.**
18. **MISE À LA TERRE ADÉQUATE.** Cet outil doit être mis à la terre lorsqu'il est en fonction pour protéger l'utilisateur contre l'électrocution.
19. **CORDONS PROLONGATEURS.** Utilisez uniquement les cordons prolongateurs à trois fils dotés d'une fiche à trois broches avec mise à la terre et les prises à trois pôles dans lesquelles il est possible de brancher la prise de l'outil. Le cordon doit être remplacé ou réparé immédiatement s'il est endommagé ou usé.
20. **Assurez-vous que le disque abrasif n'entre pas en contact avec la pièce à travailler avant de mettre l'interrupteur sous tension.**
21. **N'abandonnez pas l'outil alors qu'il tourne. Ne faites fonctionner l'outil qu'une fois que vous l'avez bien en main.**
22. **Vérifiez que la pièce est correctement soutenue.**
23. **Soyez conscient que la meule continue de tourner une fois l'outil mis hors tension.**
24. **N'utilisez pas l'outil sur des matériaux contenant de l'amiante.**

▲ MISE EN GARDE : NE VOUS LAISSEZ PAS tromper (au fil d'une utilisation répétée) par un sentiment d'aisance ou de familiarité avec le produit en négligeant les consignes de sécurité qui accompagnent le produit. L'utilisation non sécuritaire ou incorrecte de cet outil comporte un risque de blessure grave.

Symboles

Les symboles utilisés pour l'outil sont indiqués ci-dessous.

| | |
|---|---------------------------------|
| V | volts |
| A | ampères |
| Hz | hertz |
|  | courant alternatif |
| n | vitesse nominale |
| n ₀ | vitesse à vide |
| ... /min r/min | tours ou alternances par minute |

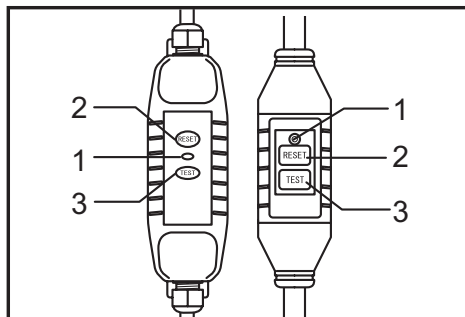
**CONSERVEZ CE MODE
D'EMPLOI.**

DESCRIPTION DU FONCTIONNEMENT

⚠ ATTENTION :

- Assurez-vous toujours que l'outil est hors tension et débranché avant de l'ajuster ou de vérifier son fonctionnement.

Disjoncteur de fuite à la terre



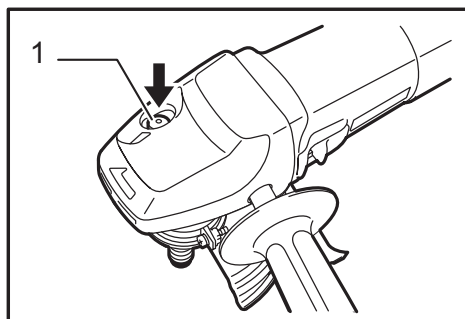
- ▶ 1. Lampe-témoin 2. Bouton RESET (R) 3. Bouton TEST (T)

L'outil est doté de l'un des disjoncteurs de fuite à la terre illustrés. Raccordez l'outil à l'alimentation et faites un essai avec le disjoncteur de fuite à la terre avant d'utiliser l'outil. Appuyez sur le bouton RESET (R) et vérifiez que la lampe-témoin s'allume. Appuyez sur le bouton TEST (T) et vérifiez que la lampe-témoin s'éteint. Appuyez à nouveau sur le bouton RESET (R) pour utiliser l'outil.

⚠ MISE EN GARDE :

- N'utilisez pas l'outil si la lampe-témoin ne s'éteint pas quand vous appuyez sur le bouton "TEST".

Blocage de l'arbre



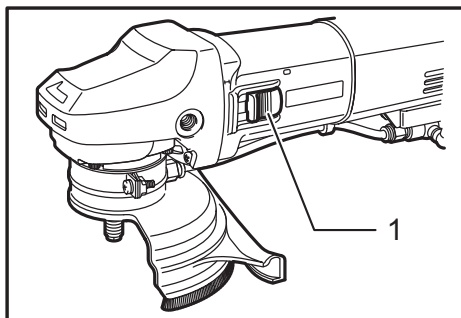
- ▶ 1. Verrouillage de l'arbre

⚠ ATTENTION :

- N'activez jamais le blocage de l'arbre alors que l'arbre bouge. Vous pourriez endommager l'outil.

Appuyez sur le blocage de l'arbre pour empêcher l'arbre de tourner lors de l'installation ou du retrait des accessoires.

Interrupteur



- ▶ 1. Interrupteur à glissière

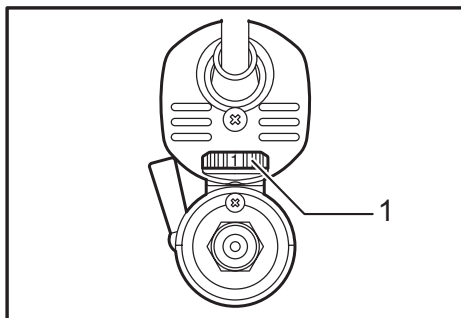
⚠ ATTENTION :

- Avant de brancher l'outil, assurez-vous toujours que la gâchette fonctionne correctement et revient en position d'"OFF" lorsque la partie arrière de l'interrupteur à glissière est enfoncée.
- Pour rendre le travail de l'utilisateur plus confortable lors d'une utilisation prolongée, l'interrupteur peut être verrouillé en position de marche. Soyez prudent lorsque vous verrouillez l'outil en position de marche, et maintenez une poigne solide sur l'outil.

Pour démarrer l'outil, faites glisser l'interrupteur à glissière sur la position « I (ON) » en poussant l'arrière de l'interrupteur à glissière. Pour un fonctionnement continu, appuyez sur l'avant de l'interrupteur à glissière pour le verrouiller.

Pour arrêter l'outil, appuyez sur l'arrière de l'interrupteur à glissière, puis faites-le glisser sur la position « O (OFF) ».

Cadran de réglage de vitesse



- ▶ 1. Cadran de réglage de la vitesse

La vitesse de rotation peut être ajustée en tournant le cadran de réglage de la vitesse sur un numéro de réglage donné, de 1 à 5.

Une vitesse plus élevée est obtenue lorsque le cadran est tourné dans le sens du numéro 5. Une vitesse plus basse est obtenue lorsqu'il est tourné dans le sens du numéro 1.

Reportez-vous au tableau pour le rapport entre le chiffre de réglage sur le cadran et la vitesse de rotation approximative du plateau.

| Numéro | T/MIN (/min) |
|--------|--------------|
| 1 | 2 000 |
| 2 | 2 500 |
| 3 | 3 000 |
| 4 | 3 500 |
| 5 | 4 400 |

⚠ ATTENTION :

- Si l'outil fonctionne à vitesse réduite continuellement, il s'ensuivra une surcharge et une surchauffe du moteur.
- Le cadran de réglage de la vitesse ne peut pas dépasser le 5 et le 1. Ne le forcez pas à dépasser le 5 ou le 1, sinon la fonction de réglage de la vitesse risque de ne plus fonctionner.

Fonction électronique

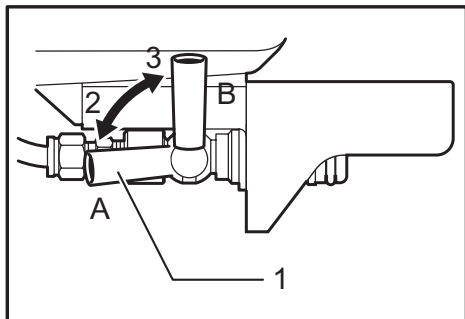
Commande de vitesse constante

La vitesse de rotation étant maintenue constante même lorsque l'outil est soumis à une charge de travail, il est possible d'atteindre une grande finesse de finition. De plus, lorsque la charge imposée à l'outil dépasse le niveau permis, l'alimentation du moteur est réduite pour le protéger contre la surchauffe. Le fonctionnement normal de l'outil est rétabli lorsque la charge imposée revient à un niveau permis.

Fonction de démarrage en douceur

La suppression du choc de démarrage permet un démarrage en douceur.

Ouverture ou fermeture du levier d'eau



► 1. Levier 2. Ouvrir 3. Fermer

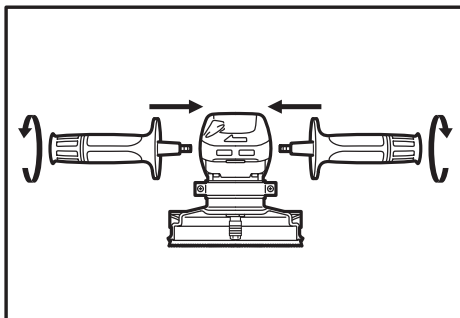
Pour maintenir le levier d'alimentation en eau ouvert sur l'outil, tournez-le sur la position A, prêt pour le passage de l'eau. Pour fermer, remettez-le sur la position B.

ASSEMBLAGE

⚠ ATTENTION :

- Avant d'effectuer toute intervention sur l'outil, assurez-vous toujours qu'il est hors tension et débranché.

Installation de la poignée latérale (poignée)

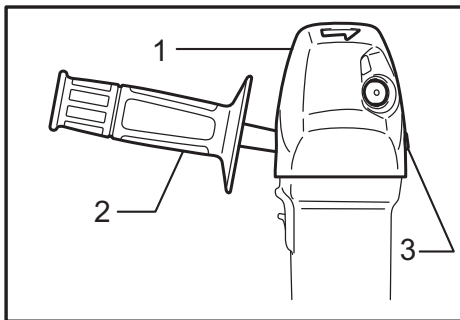


⚠ ATTENTION :

- Avant d'utiliser l'outil, assurez-vous toujours que la poignée latérale est installée de façon sûre.

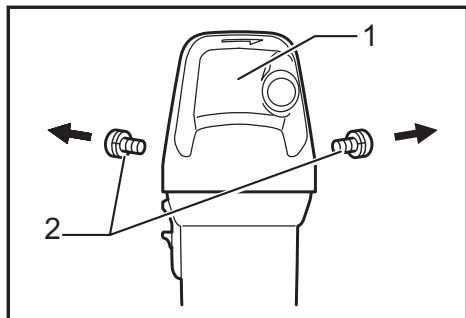
Vissez la poignée latérale à fond sur la position de l'outil comme illustré sur la figure.

Retirez une des vis qui retiennent le carter de l'engrenage et le couvercle supérieur, puis vissez la poignée latérale sur l'outil.



► 1. Couvercle supérieur 2. Poignée latérale 3. Vis

Installation ou retrait de la poignée avant

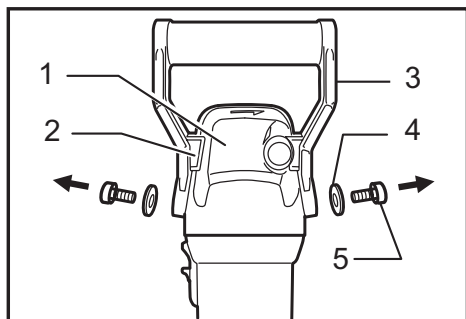


► 1. Couvercle supérieur 2. Vis

⚠ ATTENTION :

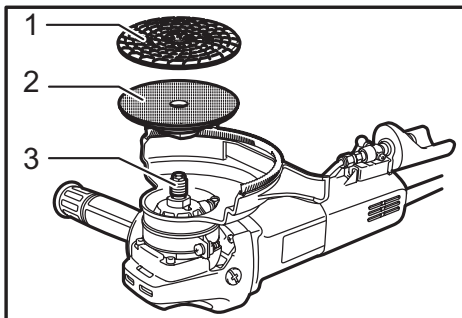
- Avant d'utiliser l'outil, assurez-vous que la poignée avant est installée de façon sûre.
- Il n'est pas possible d'installer ensemble la poignée avant et la poignée latérale.

Retirez les deux vis puis le couvercle supérieur. (Il n'est pas possible d'installer le poignée avant alors que le couvercle supérieur est installé sur l'outil.) Installez le poignée avant sur l'outil de sorte que sa butée soit bien enjignée sur le carter de l'engrenage, et serrez les deux vis de la manière illustrée sur la figure. (Il n'est pas possible d'installer ensemble la poignée avant et la poignée latérale.)



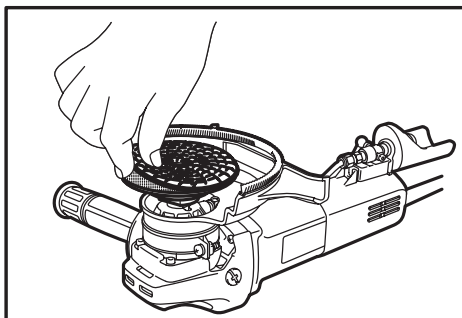
► 1. Carter d'engrenage 2. Butoir 3. Poignée avant 4. Rondelle plate 5. Boulon à tête creuse hexagonale

Installation ou retrait du disque abrasif (accessoire en option)

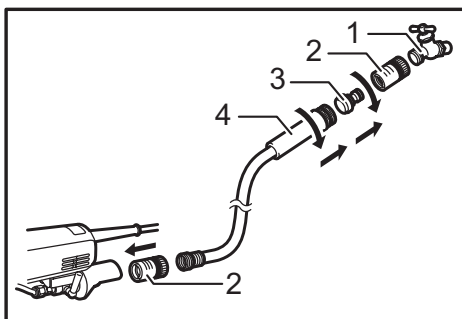


► 1. Disque abrasif 2. Plateau 3. Axe

Enlevez toute trace de saleté ou de corps étranger sur le patin. Visez le patin sur l'arbre tout en appuyant sur le blocage de l'arbre. Fixez doucement le disque au patin, de sorte que les bords du disque et du patin soient parfaitement superposés, sans dépasser. Pour retirer le disque abrasif, tirez-le par le bord pour le dégager du patin.



Ensemble de raccord de tuyau



► 1. Prise d'eau 2. Raccord de tuyau 3. Connecteur 4. Tuyau

Pour raccorder l'outil à la source d'eau, utilisez l'ensemble de raccord de tuyau. Il comprend les pièces suivantes.

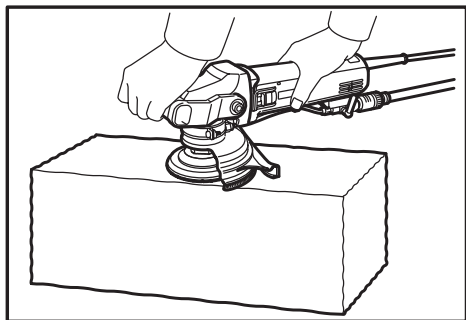
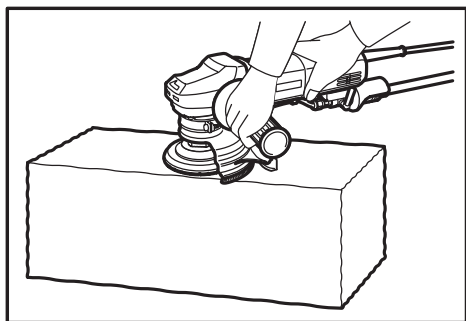
| Nom de pièce | Description |
|---------------------|-----------------------------------|
| Connecteur de tuyau | Filetage de tuyau 1/2" |
| Connecteur | Filetage de tuyau 1/2" |
| Tuyau | Diam. interne 5/8" x longueur 25" |

Serrez manuellement les pièces ci-dessus pour les assembler.

1. Fixez le raccord de tuyau sur l'orifice de sortie de la prise d'eau.
2. Serrez fermement la jonction sur le tuyau. Insérez la jonction pour tuyau à fond dans le raccord de tuyau.
3. Serrez le raccord de tuyau sur l'extrémité du tuyau.
4. Installez le raccord de tuyau sur l'orifice de passage de l'outil.

UTILISATION

Opération de polissage



⚠ MISE EN GARDE :

- Pour réduire les risques de choc électrique, vérifiez le système d'alimentation en eau de l'outil pour vous assurer que les dispositifs d'étanchéité (les "joints toriques") ou tuyaux sont en bon état. L'endommagement du système d'alimentation en eau peut entraîner un flux d'eau anormal vers l'outil et représente ainsi un danger.

⚠ ATTENTION :

- Portez toujours des lunettes à coques de sécurité ou un écran facial pendant l'opération.
- Ne mettez jamais l'outil en marche alors qu'il se trouve en contact avec la pièce à travailler, pour éviter de vous blesser.
- Ne jamais utiliser l'outil sans le disque abrasif. Vous risquer de sérieusement endommager le tampon.
- Assurez-vous d'alimenter le disque abrasif en eau durant le travail. Dans le cas contraire, l'outil pourrait se briser.
- La pression maximale de l'alimentation en eau admise est de 7 bar.

Assurez-vous que la sortie d'eau est fermée. Raccordez le tuyau à l'outil. Assurez-vous que l'eau sort lorsque le levier d'eau est ouvert.

Tenez l'outil fermement. Mettez l'outil en marche puis posez le disque abrasif sur la pièce à travailler. Appliquez seulement une légère pression. Une pression excessive entraînerait une performance médiocre et l'usure très rapide du disque abrasif.

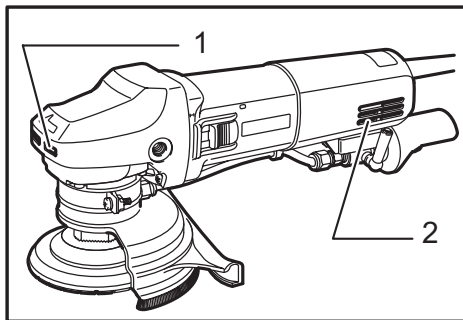
ENTRETIEN

⚠ ATTENTION :

- Assurez-vous toujours que l'outil est hors tension et débranché avant d'y effectuer tout travail d'inspection ou d'entretien.

AVIS :

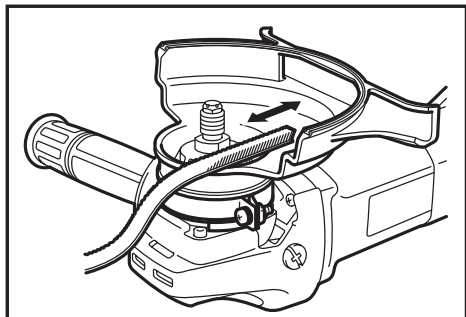
- N'utilisez jamais d'essence, de benzine, de solvant, d'alcool ou d'autres produits similaires. Une décoloration, une déformation, ou la formation de fissures peuvent en découler.



► 1. Orifice de sortie d'air 2. Orifice d'entrée d'air

L'outil et ses orifices d'aération doivent être maintenus propres. Nettoyez régulièrement les orifices d'aération de l'outil, ou chaque fois qu'ils commencent à se boucher.

Remplacer la brosse du capuchon anti-poussière



Lorsque le bout de la brosse du capuchon anti-poussière est abîmé, remplacez la brosse par une neuve sans tarder. Pour remplacer la brosse, glissez-la dans le sens de la flèche, tel qu'indiqué sur la figure.

Le capuchon anti-poussière sert à réduire les risques de pénétration de la poussière dans le corps de l'outil. Assurez-vous que le capuchon anti-poussière est bien en place lorsque vous utilisez l'outil. En cas de détérioration, vous devez le remplacer par un neuf.

La poussière s'accumule dans l'outil lors d'une utilisation prolongée ou lorsqu'il est utilisé avec beaucoup d'eau. Pour assurer une utilisation sûre et très efficace de l'outil, vérifiez toujours sa sortie d'air à l'arrière.

En cas d'accumulation de poussière dans cette zone, demandez à un centre de service après-vente Makita de nettoyer l'intérieur de l'outil. Vous ne devez jamais démonter ou nettoyer l'intérieur de l'outil vous-même. Toute demande de nettoyage de l'outil doit être effectuée sans tarder.

Pour maintenir la SÉCURITÉ et la FIABILITÉ du produit, les réparations, l'inspection et le remplacement des charbons, et tout autre travail d'entretien ou de réglage doivent être effectués dans une usine ou un centre de service après-vente Makita agréé, exclusivement avec des pièces de rechange Makita.

NOTE :

- Certains éléments de la liste peuvent être inclus avec l'outil comme accessoires standard. Ils peuvent varier suivant les pays.

GARANTIE LIMITÉE MAKITA

Pour les conditions de garantie en vigueur qui s'appliquent à ce produit, veuillez vous reporter à la feuille de garantie en annexe. Si la feuille de garantie en annexe n'est pas disponible, reportez-vous aux détails de la garantie présentés sur le site Web de votre pays, ci-dessous.

États-Unis d'Amérique: www.makitatools.com

Canada: www.makita.ca

Autres pays: www.makita.com

ACCESSOIRES EN OPTION

⚠ ATTENTION :

- Ces accessoires ou pièces complémentaires sont recommandés pour l'utilisation avec l'outil Makita spécifié dans ce mode d'emploi. L'utilisation de tout autre accessoire ou pièce complémentaire peut comporter un risque de blessure. N'utilisez les accessoires ou pièces qu'aux fins auxquelles ils ont été conçus.

Si vous désirez obtenir plus de détails concernant ces accessoires, veuillez contacter le centre de service après-vente Makita le plus près.

- Disques abrasifs
- Poignée latérale
- Poignée avant
- Plateau de caoutchouc

ESPECIFICACIONES

| | |
|---|--------------------------|
| Modelo | PW5001C |
| Especificaciones eléctricas en México | 120 V ~ 7,9 A 50/60 Hz |
| Diámetro de la almohadilla | Max. 100 mm (4 pulgadas) |
| Velocidad reportada (n) / Velocidad sin carga (n ₀) | 4 400 r/min |
| Longitud total | 313 mm (12-3/8") |
| Peso neto | 2,3 kg (5,0 lbs) |

- Debido a nuestro programa continuo de investigación y desarrollo, las especificaciones aquí dadas están sujetas a cambios sin previo aviso.
- Las especificaciones pueden ser diferentes de país a país.
- Peso de acuerdo al procedimiento de EPTA-01/2003

Advertencias de seguridad generales para herramientas eléctricas

⚠ADVERTENCIA: lea todas las advertencias de seguridad e instrucciones. Si no sigue todas las advertencias e instrucciones indicadas a continuación, podrá ocasionar una descarga eléctrica, un incendio y/o lesiones graves.

Guarde todas las advertencias e instrucciones para su futura referencia.

El término "herramienta eléctrica" se refiere, en todas las advertencias que aparecen a continuación, a su herramienta eléctrica de funcionamiento con conexión a la red eléctrica (con cableado eléctrico) o herramienta eléctrica de funcionamiento a batería (inalámbrica).

Seguridad en el área de trabajo

1. **Mantenga el área de trabajo limpia y bien iluminada.** Las áreas oscuras o desordenadas son propensas a accidentes.
2. **No utilice las herramientas eléctricas en atmósferas explosivas, tal como en la presencia de líquidos, gases o polvo inflamables.** Las herramientas eléctricas crean chispas que pueden prender fuego al polvo o los humos.
3. **Mantenga a los niños y curiosos alejados mientras utiliza una herramienta eléctrica.** Las distracciones le pueden hacer perder el control.

Seguridad eléctrica

4. **Las clavijas de conexión de las herramientas eléctricas deberán encajar perfectamente en la toma de corriente. No modifique nunca la clavija de conexión de ninguna forma. No utilice ninguna clavija adaptadora con herramientas eléctricas que tengan conexión a tierra (puesta a tierra).** La utilización de clavijas no modificadas y que encajen perfectamente en la toma de corriente reducirá el riesgo de que se produzca una descarga eléctrica.
5. **Evite tocar con el cuerpo superficies conectadas a tierra o puestas a tierra tales como tubos, radiadores, cocinas y refrigeradores.** Si su cuerpo es puesto a tierra o conectado a tierra existirá un mayor riesgo de que sufra una descarga eléctrica.

6. **No exponga las herramientas eléctricas a la lluvia ni a condiciones húmedas.** La entrada de agua en una herramienta eléctrica aumentará el riesgo de que se produzca una descarga eléctrica.
7. **No jale el cable. Nunca utilice el cable para transportar, jalar o desconectar la herramienta eléctrica. Mantenga el cable alejado del calor, aceite, objetos cortantes o piezas móviles.** Los cables dañados o atrapados aumentan el riesgo de sufrir una descarga eléctrica.
8. **Cuando utilice una herramienta eléctrica en exteriores, utilice un cable de extensión apropiado para uso en exteriores.** La utilización de un cable apropiado para uso en exteriores reducirá el riesgo de que se produzca una descarga eléctrica.
9. **Si no es posible evitar usar una herramienta eléctrica en condiciones húmedas, utilice un alimentador protegido con interruptor de circuito de falla en tierra (ICFT).** El uso de un ICFT reduce el riesgo de descarga eléctrica.

Seguridad personal

10. **Manténgase alerta, preste atención a lo que está haciendo y utilice su sentido común cuando opere una herramienta eléctrica. No utilice la herramienta eléctrica cuando esté cansado o bajo la influencia de drogas, alcohol o medicamentos.** Un momento de distracción mientras opera la máquina puede dar como resultado heridas personales graves.
11. **Use equipo de protección personal. Póngase siempre protección para los ojos.** El equipo protector tal como máscara contra el polvo, zapatos de seguridad antiderrapantes, casco rígido y protección para oídos utilizado en las condiciones apropiadas reducirá las heridas personales.
12. **Impida el encendido accidental. Asegúrese de que el interruptor esté en la posición de apagado antes de conectar a la alimentación eléctrica y/o de colocar el cartucho de la batería, así como al levantar o cargar la herramienta.** Cargar las herramientas eléctricas con su dedo en el interruptor o conectarlas con el interruptor encendido hace que los accidentes sean propensos.

13. **Retire cualquier llave de ajuste o llave de apriete antes de encender la herramienta.** Una llave de ajuste o llave de apriete que haya sido dejada puesta en una parte giratoria de la herramienta eléctrica podrá resultar en heridas personales.
14. **No utilice la herramienta donde no alcance.** Mantenga los pies sobre suelo firme y el equilibrio en todo momento. Esto permite un mejor control de la herramienta eléctrica en situaciones inesperadas.
15. **Use vestimenta apropiada. No use ropas sueltas ni joyas. Mantenga el cabello, la ropa y los guantes alejados de las piezas móviles.** Las prendas de vestir holgadas, las joyas y el cabello suelto podrían engancharse en estas piezas móviles.
16. **Si dispone de dispositivos para la conexión de equipos de extracción y recolección de polvo, asegúrese de conectarlos y utilizarlos debidamente.** La utilización de estos dispositivos reduce los riesgos relacionados con el polvo.

Mantenimiento y uso de la herramienta eléctrica

17. **No fuerce la herramienta eléctrica. Utilice la herramienta eléctrica correcta para su aplicación.** La herramienta eléctrica adecuada hará un trabajo mejor a la velocidad para la que ha sido fabricada.
18. **No utilice la herramienta eléctrica si el interruptor no la enciende y apaga.** Cualquier herramienta eléctrica que no pueda ser controlada con el interruptor es peligrosa y debe ser reemplazada.
19. **Desconecte la clavija de la fuente de energía y/o la batería de la herramienta eléctrica antes de realizar ajustes, cambiar accesorios o guardar las herramientas eléctricas.** Dichas medidas de seguridad preventivas reducen el riesgo de que la herramienta se inicie accidentalmente.
20. **Guarde la herramienta eléctrica que no use fuera del alcance de los niños y no permita que las personas que no están familiarizadas con ella o con las instrucciones la operen.** Las herramientas eléctricas son peligrosas en manos de personas que no saben operarlas.
21. **Realice el mantenimiento a las herramientas eléctricas.** Compruebe que no haya partes móviles desalineadas o estancadas, piezas

rotas y cualquier otra condición que pueda afectar al funcionamiento de la herramienta eléctrica. Si la herramienta eléctrica está dañada, haga que se la reparen antes de utilizarla. Muchos accidentes son ocasionados por herramientas eléctricas con un mal mantenimiento.

22. **Mantenga las herramientas de corte limpias y filosas.** Si recibe un mantenimiento adecuado y tiene los bordes afilados, es probable que la herramienta se atasque menos y sea más fácil controlarla.
23. **Utilice la herramienta eléctrica, así como accesorios, piezas, brocas, etc. de acuerdo con estas instrucciones y de la manera establecida para cada tipo de unidad en particular; tenga en cuenta las condiciones laborales y el trabajo a realizar.** Si utiliza la herramienta eléctrica para realizar operaciones distintas de las indicadas, podrá presentarse una situación peligrosa.


Servicio de mantenimiento

24. **Haga que una persona calificada repare la herramienta utilizando sólo piezas de repuesto idénticas.** Esto asegura que se mantenga la seguridad de la herramienta eléctrica.
25. **Siga las instrucciones para la lubricación y cambio de accesorios.**
26. **Mantenga las agarraderas secas, limpias y sin aceite o grasa.**

UTILICE UN CABLE DE EXTENSIÓN ADECUADO.

Utilice sólo cables de extensión de tres conductores que tienen clavijas de tres espigas a tierra y tomas de corriente de tres polos que aceptan la clavija de la herramienta. Asegúrese de que el cable de extensión esté en buenas condiciones. Reemplace o repare el cable dañado o gastado inmediatamente. Cuando use un cable de extensión, asegúrese de que éste sea lo suficientemente potente como para soportar la tensión eléctrica que producirá el uso de la herramienta. Un cable demasiado delgado producirá una reducción del voltaje, lo que ocasionará una disminución en la corriente y sobrecalentamiento. La tabla 1 muestra el tamaño correcto de cable, dependiendo de la longitud y del rango de amperio establecido en la placa de fábrica. Si tiene duda, utilice uno más potente. Cuanto más pequeño sea el número del calibre, más potente será el cable.

Tabla 1. Calibre mínimo para el cable

| Amperaje nominal | | Volts | Longitud total del cable en metros | | | |
|------------------|-----------|---|------------------------------------|------------------|-----------------|-----------------|
| | | 120 V  | 7,6 m (25 ft) | 15,2 m (50 ft) | 30,4 m (100 ft) | 45,7 m (150 ft) |
| Más de | No más de | Calibre del cable (AWG) | | | | |
| 0 A | 6 A | 18 | 16 | 16 | 14 | |
| 6 A | 10 A | 18 | 16 | 14 | 12 | |
| 10 A | 12 A | 16 | 16 | 14 | 12 | |
| 12 A | 16 A | 14 | 12 | No se recomienda | | |

INSTRUCCIONES DE CONEXIÓN A TIERRA:

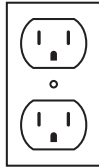
Esta herramienta debe conectarse a una conexión aterrizada durante su operación para proteger al operador contra una descarga eléctrica. Esta herramienta está equipada con un cable de alimentación y conexión trifásicos para ajustarse

a un receptáculo aterrizado adecuadamente. El conductor verde (o verde y amarillo) del cable es la conexión a tierra. Nunca conecte dicho cable a una terminal electrificada. Su unidad es para usar en 120 volts y tiene una clavija igual a la que aparece en la Figura "A".

Fig. A



Espiga para conexión a tierra



Cubierta de la caja del tomacorriente conectada a tierra

ADVERTENCIAS DE SEGURIDAD PARA PULIDORA PARA PIEDRA

Advertencias de seguridad comunes para la operación de pulido:

1. **Esta herramienta eléctrica está diseñada para funcionar como una pulidora. Lea todas las advertencias de seguridad, así como las instrucciones, ilustraciones y especificaciones que se incluyen con esta herramienta eléctrica.** No seguir todas las instrucciones que se presentan a continuación puede que resulte en descarga eléctrica, incendio y/o lesión grave.
2. **No se recomienda hacer ciertas operaciones tales como operaciones de esmerilado, operaciones con cepillo de alambre, operaciones de lijado o de corte con esta herramienta eléctrica.** Puede que las operaciones para las cuales esta herramienta eléctrica no está diseñada generen un peligro resultando en lesiones personales.
3. **No use accesorios que no hayan sido específicamente diseñados o recomendados por el fabricante de esta herramienta.** Sólo por que un aditamento pueda ensamblarse en su herramienta eléctrica no garantiza una operación segura.
4. **La velocidad que se indica con el accesorio debe ser por lo menos la misma a la velocidad máxima marcada en la herramienta eléctrica.** Los accesorios que se ejecuten a mayor velocidad que la velocidad que indiquen pueden desintegrarse.
5. **El diámetro externo y el grosor de su accesorio debe estar dentro de la capacidad indicada de su herramienta eléctrica.** Los accesorios de tamaño que no corresponda para usarse con la herramienta no podrán ser controlados o protegidos adecuadamente.
6. **La colocación ensartada de los accesorios debe corresponder al eje de ensartado de la herramienta. Para los accesorios colocados por la brida, el orificio del eje del accesorio debe entallar con el diámetro de ubicación de la brida.** Los accesorios que no encajen con el equipo de montura de la herramienta eléctrica se desequilibrarán, vibrarán excesivamente y puede que generen pérdida del control.
7. **No use accesorios dañados. Antes de cada uso revise el accesorio, tal como la almohadilla de soporte para ver si hay grietas, roturas o un desgastado excesivo. Si llega a caerse la herramienta eléctrica o el accesorio, revise**

si ocurrieron daños o use un accesorio que no tenga daños. Tras haber inspeccionado y puesto el accesorio, colóquese usted, así como a las personas alrededor, alejados del plano del accesorio giratorio y ejecute la herramienta a una velocidad máxima sin carga por un minuto. Los accesorios dañados por lo general se desintegrarán durante este periodo de prueba.

8. **Use equipo de protección personal. Dependiendo de la aplicación, utilice careta o gafas protectoras. Según sea apropiado, utilice mascarilla contra el polvo, protectores para los oídos, guantes y mandil de trabajo capaz de detener fragmentos abrasivos que se generen con la pieza de trabajo.** La protección ocular debe ser capaz de detener la partículas que se proyecten a raíz de varias operaciones. La mascarilla contra el polvo o el respirador deben ser capaces de filtrar las partículas generadas durante la operación. La exposición prolongada al ruido de alta intensidad puede ocasionar pérdida auditiva.
9. **Mantenga a las personas alrededor a una distancia segura y apartada del área de trabajo. Cualquiera que ingrese al área de trabajo debe usar equipo protector.** Los fragmentos de la pieza de trabajo o de algún accesorio roto podrán salir proyectados a un área mayor a la inmediata a causar lesiones.
10. **Coloque el cable de forma que esté despejado del accesorio giratorio.** Si llegara a perder el control, puede que el cable se corte o enrede y que su mano o brazo se jale hacia el accesorio giratorio.
11. **Nunca coloque la herramienta eléctrica en el suelo hasta que el accesorio se haya detenido por completo.** Puede que el accesorio giratorio haga tracción con la superficie y que jale la herramienta eléctrica quitándole el control.
12. **No ejecute la herramienta eléctrica cuando la esté cargando a su costado.** El contacto accidental con un accesorio giratorio pudiera engancharse en su ropa jalando la herramienta hacia su cuerpo.
13. **Limpie periódicamente las aberturas de ventilación de la herramienta eléctrica.** El ventilador del motor atraerá polvo hacia adentro de la carcasa y puede que la acumulación excesiva de polvo metálico ocasione daños eléctricos.
14. **No opere la herramienta motorizada cerca de materiales inflamables.** Las chispas podrían inflamar estos materiales.

Retrocesos bruscos y advertencias relacionadas

El retroceso brusco es una reacción repentina al engancharse o trabado de un disco giratorio, disco de soporte o cualquier otro accesorio. El trabado genera un alto súbito del accesorio giratorio lo cual a su vez genera que la herramienta eléctrica no controlada se fuerce en la dirección opuesta a la rotación del accesorio en el punto de atascamiento. Por ejemplo, si un disco abrasivo se trava o atasca debido a la pieza de trabajo, el borde del disco que está ingresando hacia el punto de atascamiento puede introducirse hacia la superficie del material ocasionando que el disco se salga bruscamente. Puede que el disco

salte hacia el operador o hacia dirección opuesta de él, dependiendo de la dirección del movimiento del disco al momento del atascamiento. Puede que los discos abrasivos también se rompan bajo estas condiciones. El retroceso es el resultado de un mal uso de la herramienta eléctrica o de condiciones o procedimientos de uso incorrectos y se puede evitar tomando las precauciones que se indican a continuación.

- a) **Mantenga una sujeción firme de la herramienta eléctrica y coloque su cuerpo y brazo de tal forma que pueda contener la fuerza de un retroceso brusco. De estar disponible, utilice siempre el mango auxiliar para un control máximo durante un retroceso brusco o reacción de torsión durante el inicio de la herramienta.** El operador puede controlar las reacciones de torsión o fuerzas del retroceso brusco siempre y cuando se lleven a cabo las precauciones adecuadas.
- b) **Nunca coloque su mano detrás del accesorio giratorio.** Puede que el accesorio genere un retroceso brusco sobre su mano.
- c) **No coloque su cuerpo en el área donde la herramienta eléctrica podría desplazarse si un retroceso brusco llegara a ocurrir.** El retroceso brusco proyectará la herramienta en dirección opuesta al movimiento del disco en el punto de trabajo.
- d) **Tenga especial cuidado al trabajar con esquinas, bordes afilados, etc. Evite el tambaleo y trabado del accesorio.** Las esquinas, bordes afilados o los rebotes tienen la tendencia de trabar el accesorio giratorio y causar una pérdida del control o un retroceso brusco.
- e) **No monte una cadena de sierra para labrado en madera, ni tampoco un disco dentado para sierra.** Dichos discos generan retrocesos bruscos y pérdida del control con frecuencia.

Advertencias de seguridad específicas para las operaciones de la pulidora para piedra:

- a) **Evite utilizar un disco abrasivo de un tamaño excesivamente mayor. Siga las recomendaciones de los fabricantes al seleccionar el disco abrasivo.** El disco abrasivo cuyo tamaño se extienda más allá de las almohadillas representa un riesgo de desgarramiento que podría causar trabado, rotura del disco o retroceso brusco de la herramienta.

Advertencias de seguridad adicionales:

15. **Se debe proporcionar la protección del Interruptor del Circuito de Falla a Tierra (GFCI) en los circuitos o tomacorrientes que se vayan a usar para la herramienta. Hay dispositivos receptáculos que tienen integrada la protección GFCI y se pueden usar para esta medida de seguridad.**
16. **Para protección adicional contra descarga eléctrica, asegúrese de USAR GUANTES DE HULE Y BOTAS DE HULES durante el funcionamiento.**
17. **Cuando use la alimentación de agua, tenga cuidado de no dejar que entre agua al motor. Si escurre agua dentro del motor, puede resultar un riesgo de descarga eléctrica.**
18. **CONEXIÓN APROPIADA A TIERRA.** Esta herramienta deberá ser conectada a tierra mientras está en uso para proteger al operador de sufrir una descarga eléctrica.


19. **EXTENSIONES ELÉCTRICAS.** Utilice sólo cables de extensión de tres conductores con clavijas de 3 espigas y conexión de puesta a tierra y tomas de corriente de tres polos que acepten el enchufe de la herramienta. Reemplace o repare el cable dañado o gastado inmediatamente.
20. **Asegúrese de que el disco abrasivo no esté en contacto con la pieza de trabajo antes de encender la herramienta.**
21. **No deje la herramienta en marcha. Tenga en marcha la herramienta solamente cuando la tenga en la mano.**
22. **Verifique que la pieza de trabajo esté correctamente sostenida.**
23. **Tenga cuidado, puesto que el disco continúa girando después de apagada la herramienta.**
24. **No utilice la herramienta con materiales que contengan asbesto.**

GUARDE ESTAS INSTRUCCIONES.

⚠ADVERTENCIA: NO DEJE que la comodidad o familiaridad con el producto (a base de utilizarlo repetidamente) sustituya la estricta observancia de las normas de seguridad para dicho producto. **EL MAL USO** o el no seguir las normas de seguridad establecidas en este manual de instrucciones puede ocasionar graves lesiones personales.

Símbolos

A continuación se muestran los símbolos utilizados para la herramienta.

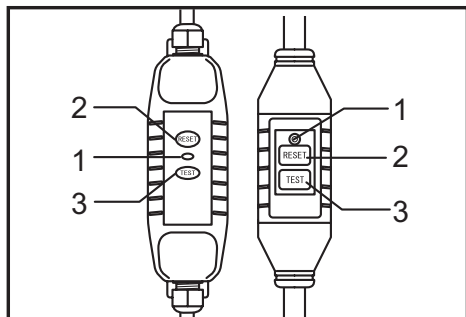
| | |
|---|--|
| v | volts o voltios |
| A | ampere o amperío |
| Hz | hertz o hercios |
|  | corriente alterna |
| n | velocidad clasificada |
| n _o | velocidad en vacío o sin carga |
| ... /min | revoluciones o alternaciones por minuto, |
| r /min | frecuencia de rotación |

DESCRIPCIÓN DEL FUNCIONAMIENTO

⚠️ PRECAUCIÓN:

- Asegúrese siempre de que la herramienta esté apagada y desconectada antes de ajustar o comprobar cualquier función en la misma.

Interruptor del Circuito de Falla a Tierra



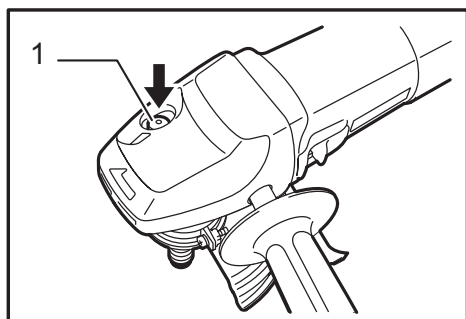
- 1. Luz piloto 2. Botón de RESTABLECER (R)
3. Botón de PRUEBA (T)

La herramienta está equipada con un Interruptor del Circuito de Falla a Tierra (GFCI) ilustrado. Conecte la herramienta a una alimentación eléctrica y pruebe el Interruptor del Circuito de Falla a Tierra (GFCI) antes de utilizar la herramienta. Oprima el botón RESTABLECER (R) y confirme que la luz piloto se enciende. Oprima el botón PRUEBA (T) y confirme que la luz piloto se apaga. Oprima el botón RESTABLECER (R) otra vez para utilizar la herramienta.

⚠️ ADVERTENCIA:

- No utilice la herramienta si la luz piloto no se apaga cuando se oprime el botón PRUEBA (T).

Bloqueo del eje



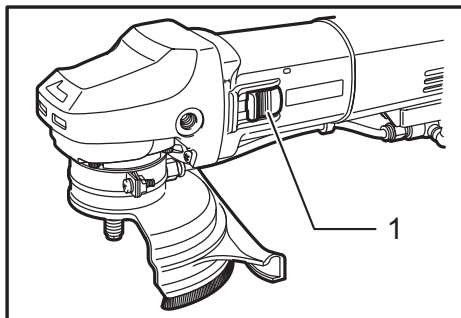
- 1. Bloqueo del eje

⚠️ PRECAUCIÓN:

- No accione nunca el bloqueo del eje cuando éste se esté moviendo. Podría dañarse la herramienta.

Presione el bloqueo del eje para impedir que éste gire cuando vaya a instalar o desmontar accesorios.

Accionamiento del interruptor



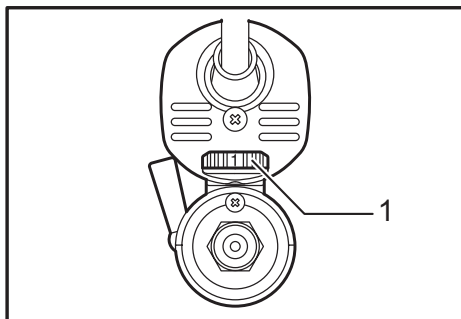
- 1. Interruptor deslizable

⚠️ PRECAUCIÓN:

- Antes de conectar la herramienta, verifique siempre y confirme que el interruptor deslizable se acciona debidamente y que vuelve a la posición "OFF" (apagado) cuando se presione la parte trasera del interruptor deslizable.
- El interruptor puede ser bloqueado en la posición "ON" (encendido) para mayor comodidad del operario durante una utilización prolongada. Tenga precaución cuando bloquee la herramienta en la posición "ON" (encendido) y sujete la herramienta firmemente.

Para iniciar la herramienta, deslice interruptor deslizable hacia la posición de encendido "I (ON)" al presionar la parte trasera del interruptor deslizable. Para una operación continua, presione en la parte delantera del interruptor deslizable para trabajarlo. Para parar la herramienta, presione la parte trasera del interruptor deslizable, y luego deslice a la posición de apagado "O (OFF)".

Control de ajuste de velocidad



- 1. Control de ajuste de velocidad

La velocidad de giro puede cambiarse girando el dial de ajuste de velocidad hasta la configuración de un número dado de 1 a 5. Se obtiene una mayor velocidad cuando se gira el dial en dirección del número 5 y una menor cuando se gira en dirección del número 1.

Consulte la tabla que aparece más adelante para obtener la relación entre las configuraciones de los números en el dial y la velocidad aproximada de giro.

| Número | RPM (r/min) |
|--------|-------------|
| 1 | 2 000 |
| 2 | 2 500 |
| 3 | 3 000 |
| 4 | 3 500 |
| 5 | 4 400 |

⚠ PRECAUCIÓN:

- La utilización de la herramienta en forma continua a baja velocidad, provocará la recarga y recalentamiento del motor.
- El control de ajuste de velocidad sólo se puede girar hasta 5 o hasta 1. No lo force más allá de estas marcas o la función de ajuste de velocidad podría arruinarse.

Función electrónica

Control de velocidad constante

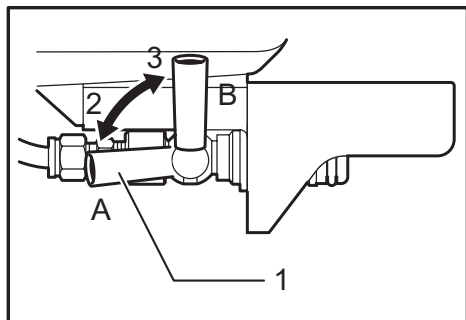
Es posible obtener un acabado fino, dado que la velocidad de giro se mantiene constante aun cuando se encuentre cargada.

Además, cuando la carga en la herramienta exceda niveles excesivos, se reducirá la potencia del motor para proteger el motor contra el recalentamiento. Cuando la carga retorne a niveles admisibles, la herramienta funcionará de modo normal.

Función de inicio suave

Inicio suave gracias a la supresión del golpe de arranque.

Cómo abrir o cerrar la palanca de agua



- 1. Palanca 2. Abierto (a) 3. Cerrado (a)

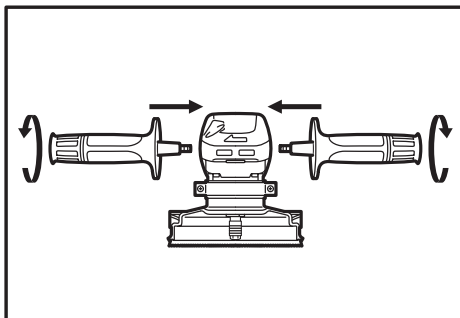
Para mantener abierta la palanca para el flujo de agua en la herramienta, colóquela en la posición A cuando el conducto de agua esté listo. Regrésela a la posición B para cerrar.

ENSAMBLE

⚠ PRECAUCIÓN:

- Asegúrese siempre de que la herramienta esté apagada y desconectada antes de realizar cualquier trabajo en la misma.

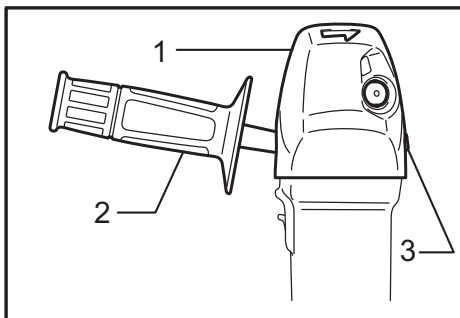
Instalación de la empuñadura lateral (mango)



⚠ PRECAUCIÓN:

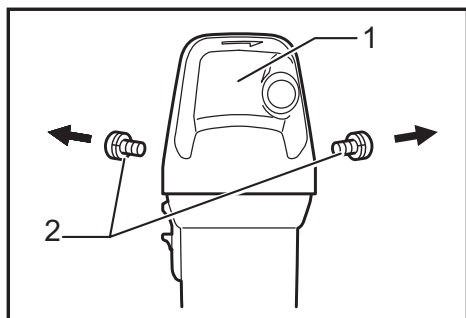
- Antes de realizar una operación, asegúrese siempre de que la empuñadura lateral esté instalada firmemente.

Rosque la empuñadura lateral firmemente en la posición de la herramienta mostrada en la figura. Quite uno de los tornillos que sujetan la caja de engranes y la cubierta de la cabeza, después atornille la empuñadura lateral a la herramienta.



- 1. Cubierta de la cabeza 2. Empuñadura lateral de mango 3. Tornillo

Cómo instalar o quitar la empuñadura frontal



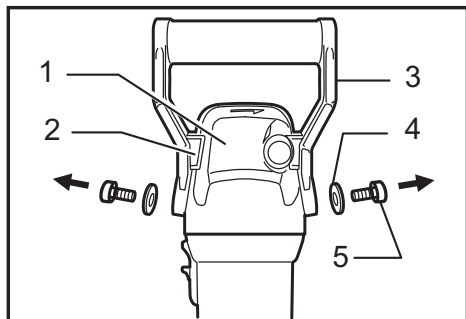
► 1. Cubierta de la cabeza 2. Tornillo

⚠PRECAUCIÓN:

- Antes del funcionamiento asegúrese que la empuñadura frontal está instalada firmemente.
- La empuñadura frontal y la empuñadura lateral no se pueden instalar al mismo tiempo.

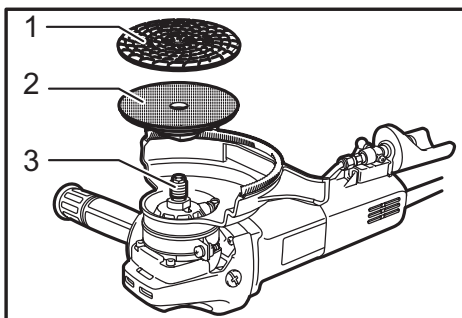
Quite dos tornillos y después la cubierta de la cabeza. (La empuñadura frontal no se puede instalar durante la instalación de la cubierta de la cabeza en la herramienta.)

Instale la empuñadura frontal en la herramienta de modo que su tope se ajuste a la caja de engranes y apriete los dos tornillos como se muestra en la figura. (La empuñadura frontal y la empuñadura lateral no se pueden instalar al mismo tiempo.)



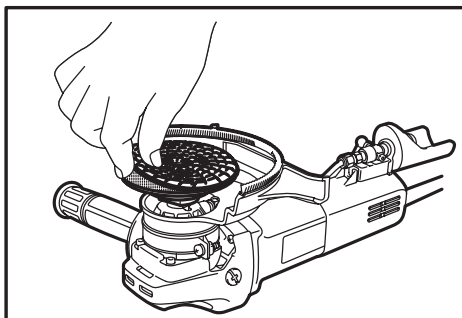
► 1. Caja del engranaje 2. Tapón 3. Empuñadura delantera 4. Arandela plana 5. Perno hexagonal de la cabeza de conexión

Instalación o desmontaje de un disco abrasivo (accesorio opcional)

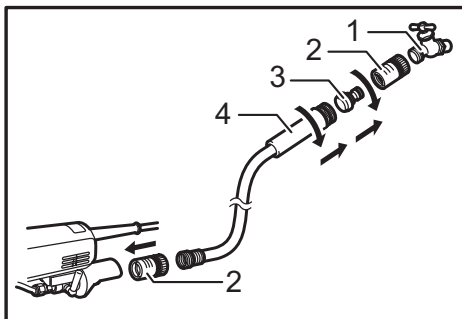


► 1. Disco de lija 2. Almohadilla 3. Eje

Quite toda la suciedad o materia extraña del soporte del disco. Atornille el soporte del disco en el eje mientras se oprime el bloqueo del eje. Instale el disco en el soporte del disco tan cuidadosamente que las orillas del disco y del soporte se traslapen entre sí, sin sobresalir. Para quitar el disco abrasivo, saque su orilla del soporte.



Conjunto del conector para manguera



► 1. Llave del agua 2. Conector para manguera 3. Conector 4. Manguera

Utilice el conjunto del conector para manguera para conectarse al suministro de agua. Consta de las siguientes piezas.

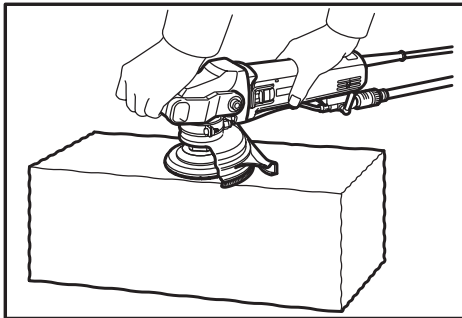
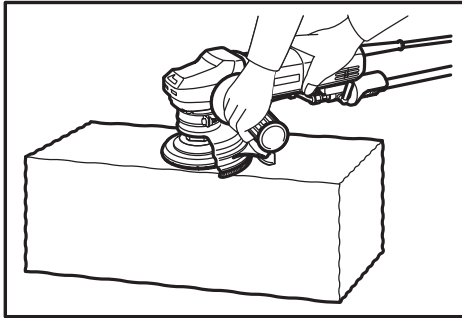
| Nombre de la pieza | Descripción |
|------------------------|--|
| Conector para manguera | rosca para tubería de 1/2 pulgada |
| Conector | rosca para tubo de envíos postales de 1/2 pulgada |
| Manguera | diámetro interior de 5/8 de pulgada x 25 pulgadas de largo |

Arme las piezas anteriores apretando a mano como sigue.

1. Instale el conector para manguera a la descarga de la llave del agua.
2. Apriete fuertemente el conector a la manguera. Inserte el conector al conector para manguera todo lo que sea posible.
3. Apriete el conector para manguera al extremo de la manguera.
4. Ajuste el conector para manguera a la toma en la herramienta.

OPERACIÓN

Pulido



⚠️ ADVERTENCIA:

- Para reducir el riesgo de descarga eléctrica, revise el sistema de suministro de agua a la herramienta para asegurarse que no haya daño a los sellos (anillos "O") o mangueras. Un sistema de suministro de agua dañado puede resultar en flujo anormal de agua a la herramienta lo que puede ser peligroso.

⚠️ PRECAUCIÓN:

- Póngase siempre gafas de seguridad o máscara facial durante la operación.
- No encienda nunca la herramienta cuando ésta esté en contacto con la pieza de trabajo, podría ocasionar heridas al operario.
- Nunca haga funcionar la herramienta sin el disco de lija. Se puede dañar seriamente la almohadilla.
- Asegúrese de surtir agua al disco abrasivo durante la operación. Ignorar esta indicación puede causar rotura a la herramienta.
- La presión máxima permitida del suministro de agua es de 7 bar.

Asegúrese que la llave está cerrada. Conecte la manguera a la herramienta. Asegúrese que sale agua cuando se abre la palanca del agua. Sostenga la herramienta firmemente. Encienda la herramienta y después ponga el disco abrasivo en la pieza de trabajo. Ejerza ligera presión solamente. La presión excesiva resultará en un funcionamiento deficiente y desgaste prematuro del disco abrasivo.

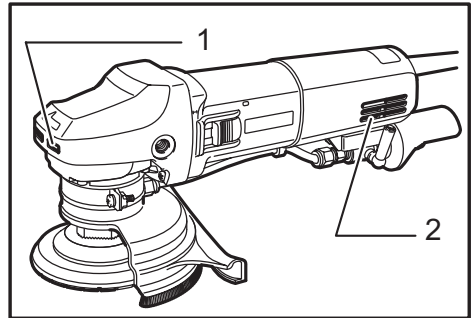
MANTENIMIENTO

⚠️ PRECAUCIÓN:

- Asegúrese siempre que la herramienta esté apagada y desconectada antes de intentar realizar una inspección o mantenimiento.

AVISO:

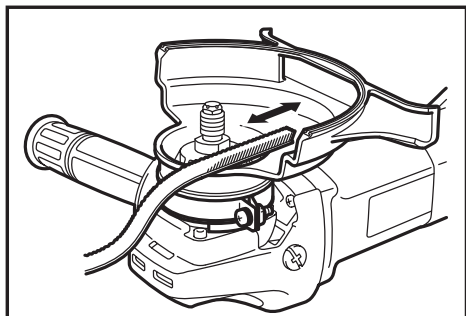
- Nunca use gasolina, bencina, diluyente (tíner), alcohol o sustancias similares. Puede que esto ocasione grietas o descoloramiento.



- 1. Abertura de ventilación de salida 2. Abertura de ventilación de entrada

La herramienta y sus aberturas de ventilación han de mantenerse limpias. Limpie las aberturas de ventilación regularmente o siempre que los orificios empiecen a estar obstruidos.

Cómo reemplazar la escobilla en la cubierta contra el polvo



Reemplace la escobilla en la cubierta contra el polvo tan pronto como su punta se dañe. Para reemplazar la escobilla, deslícela en dirección de la flecha como se muestra en la figura.

La cubierta contra el polvo se utiliza para reducir el riesgo de la entrada de polvo al cuerpo de la herramienta. Asegúrese de utilizar la herramienta con la cubierta contra el polvo en su lugar al funcionar. Si estuviera dañada, reemplácela sin falta con una nueva. El uso prolongado y el funcionamiento de la herramienta usando mucha agua causa acumulación de polvo adentro de la herramienta. Para mantener la seguridad del producto y que la herramienta funcione con eficiencia alta, siempre revise la ventila del escape en la parte posterior de la herramienta.

Cuando encuentre acumulación de polvo en esa área, consulte al centro de servicio de Makita sobre la limpieza adentro de la herramienta. Nunca desarme o limpie el interior de la herramienta usted solo. En toda ocasión se recomienda solicitud anticipada para la limpieza.

Para mantener la **SEGURIDAD** y **FIABILIDAD** del producto, las reparaciones, la inspección y sustitución de las escobillas de carbón, y cualquier otro mantenimiento o ajuste deberán ser realizados en Centros o Servicios de fábrica Autorizados por Makita, empleando siempre piezas de repuesto de Makita.

NOTA:

- Algunos de los artículos en la lista puede que vengan junto con el paquete de la herramienta como accesorios incluidos. Puede que estos accesorios varíen de país a país.

GARANTÍA LIMITADA DE MAKITA

Esta Garantía no aplica para México

Consulte la hoja de la garantía anexa para ver los términos más vigentes de la garantía aplicable a este producto. En caso de no disponer de esta hoja de garantía anexa, consulte los detalles sobre la garantía descritos en el sitio web de su país respectivo indicado a continuación.

Estados Unidos de América: www.makitatools.com

Canadá: www.makita.ca

Otros países: www.makita.com

ACCESORIOS OPCIONALES

⚠️ PRECAUCIÓN:

- Estos accesorios o aditamentos (incluidos o no) están recomendados para utilizar con su herramienta Makita especificada en este manual. El empleo de cualesquiera otros accesorios o acoplamientos conllevará un riesgo de sufrir heridas personales. Utilice los accesorios o acoplamientos solamente para su fin establecido.

Si necesita cualquier ayuda para más detalles en relación con estos accesorios, pregunte a su centro de servicio Makita local.

- Discos abrasivos
- Empuñadura lateral de mango
- Empuñadura frontal
- plato de goma

< USA only >

WARNING

Some dust created by power sanding, sawing, grinding, drilling, and other construction activities contains chemicals known to the State of California to cause cancer, birth defects or other reproductive harm. Some examples of these chemicals are:

- lead from lead-based paints,
- crystalline silica from bricks and cement and other masonry products, and
- arsenic and chromium from chemically-treated lumber.

Your risk from these exposures varies, depending on how often you do this type of work. To reduce your exposure to these chemicals: work in a well ventilated area, and work with approved safety equipment, such as those dust masks that are specially designed to filter out microscopic particles.

< Sólo en los Estados Unidos >

ADVERTENCIA

Algunos polvos creados por el lijado, aserrado, esmerilado, taladrado y otras actividades de la construcción contienen sustancias químicas reconocidas por el Estado de California como causantes de cáncer, defectos de nacimiento y otros peligros de reproducción. Algunos ejemplos de estos productos químicos son:

- plomo de pinturas a base de plomo,
- sílice cristalino de ladrillos y cemento y otros productos de albañilería, y
- arsénico y cromo de maderas tratadas químicamente.

El riesgo al que se expone varía, dependiendo de la frecuencia con la que realice este tipo de trabajo. Para reducir la exposición a estos productos químicos: trabaje en un área bien ventilada y póngase el equipo de seguridad indicado, tal como las máscaras contra polvo que están especialmente diseñadas para filtrar partículas microscópicas.

Makita Corporation

3-11-8, Sumiyoshi-cho,
Anjo, Aichi 446-8502 Japan

www.makita.com

884519D942
PW5001C-1
EN, FRCA, ESMX
20190320